

Concrete Housing Form Construction

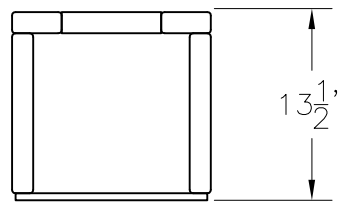
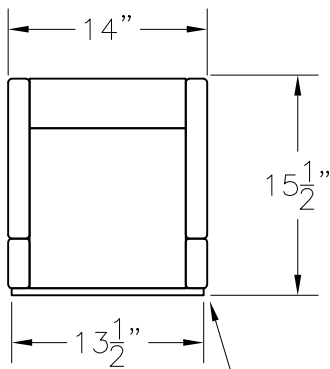
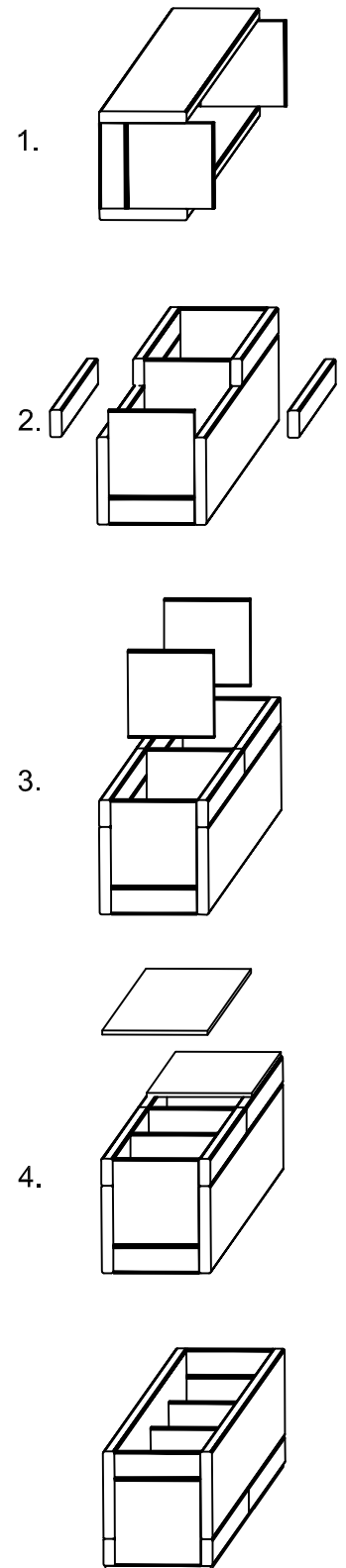
Materials:

- 2-2x12 Framing that is inside pool width plus 4'
(Typically available up to 24' long)
- 4-2x4 Framing typically half the 2x12 length
- 2-2x4 Framing cut to 11" blocks
- ?-2x12 Framing cut into 11" long blocks
(two for ends and for every 36")
- $\frac{1}{2}$ " Plywood Ripped to $13\frac{1}{2}$ "

3" Framing nails & 2" roofing nails

Steps:

1. Nail the 2x4 and 2x12 end blocks $3\frac{1}{2}$ ' below main board and $\frac{1}{4}$ " proud.
2. Nail a 2x12 block centered on the joint location of the long 2x4's. Nail long 2x4's to the end blocks and joint block
3. Nail blocks the length of the form every 36"
4. Make form straight and square then use roofing nails to put plywood on. Plywood will help keep from rigid.



Lay 2x4's side ways to shorten form 2"

IMPORTANT! $\frac{1}{4}$ " clearance to allow form removal

