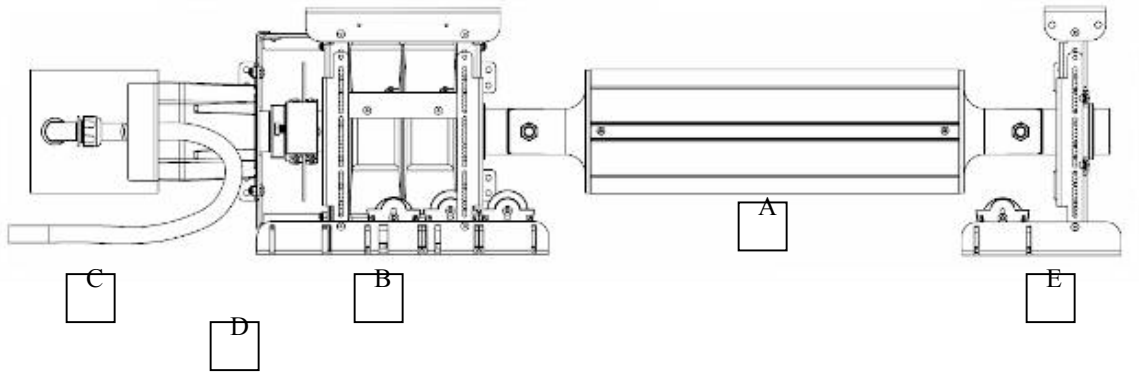


ECLIPSE MECHANISM DIMENSIONS



A=Cover roll-up tube

Specs: Diameter 6 inches
 Thickness of wall .058
 Length is 3 inches less than the distance between the guides

B=Mechanism (without motor)

Specs Length 15 inches*
 Width: Minimum width 12 inches
 Maximum width 16 inches
 Height: (without adjustable feet) 11 inches
 With standard Feet 12" - 15"
 With Extended Feet 15" - 17 1/2" (A1600 for a set of three)

Note: Minimum Housing size is 12" X 12". For Narrower housings, call for options.
 Rope Reel Capacity - 90 Ft.

C=Gear motor

Specs: Length 12 inches
 Width 6 inches
 Height with housing 8-1/4 inches

D=Mechanism plus motor

Specs: Length with electric motor 28 inches *
 Length with hydraulic motor 22-1/2 inches (plus 1-1/2" to remove hydraulic motor -24" total*)

E=Non-motor end

Specs: Length minimum standard 9-1/2 inches*

F= Leading edge

Specs Diameter is 3"
 UNDERGUIDE Length is 6 inches less than the distance between the guides
 TOPGUIDE Length is 3 inches less than the distance between the guides

*All dimensions on length are from the side of the guide closest to the pool