

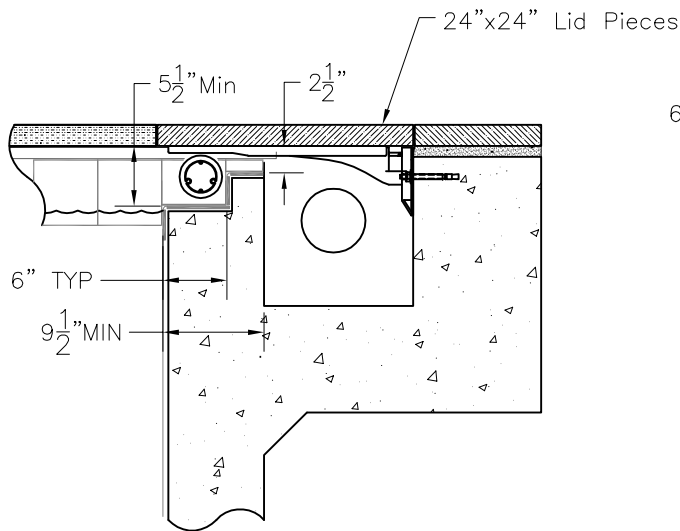
Hidden Leading Edge Bar

For 4" Diameter Leading Edge Bar
(pools 22' and wider)

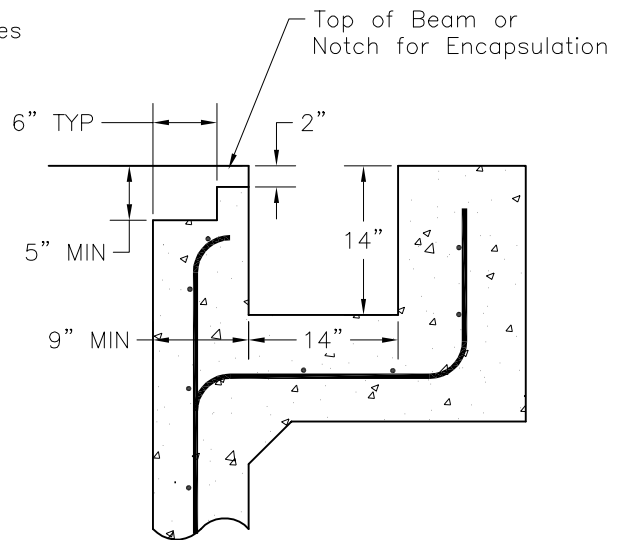
Skimmer height is set for a water line $4\frac{1}{2}$ " below top of tile for encapsulated guide and $5\frac{1}{2}$ " below for screw-on guide. Internal walls such as spas must $5\frac{1}{2}$ " below bond beam. Because coping and deck thickness vary, housing depth is always measured from the top of beam or top of encapsulation.

Encapsulated Guide

Finished dimensions

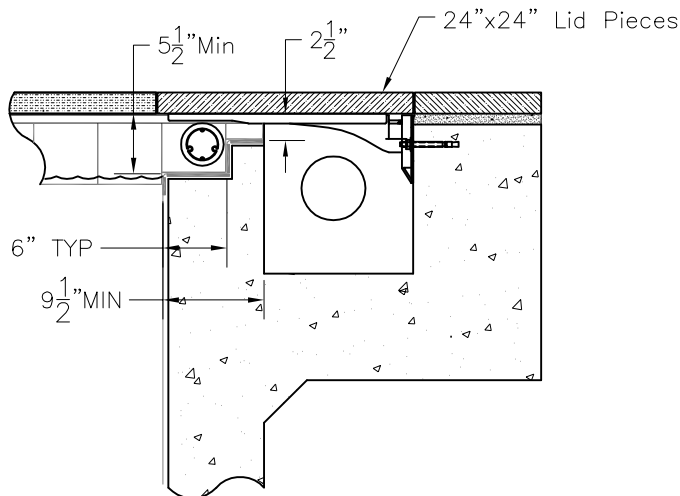


Gunite Dimensions



Screw-On Guide

Finished dimensions



Gunite Dimensions

