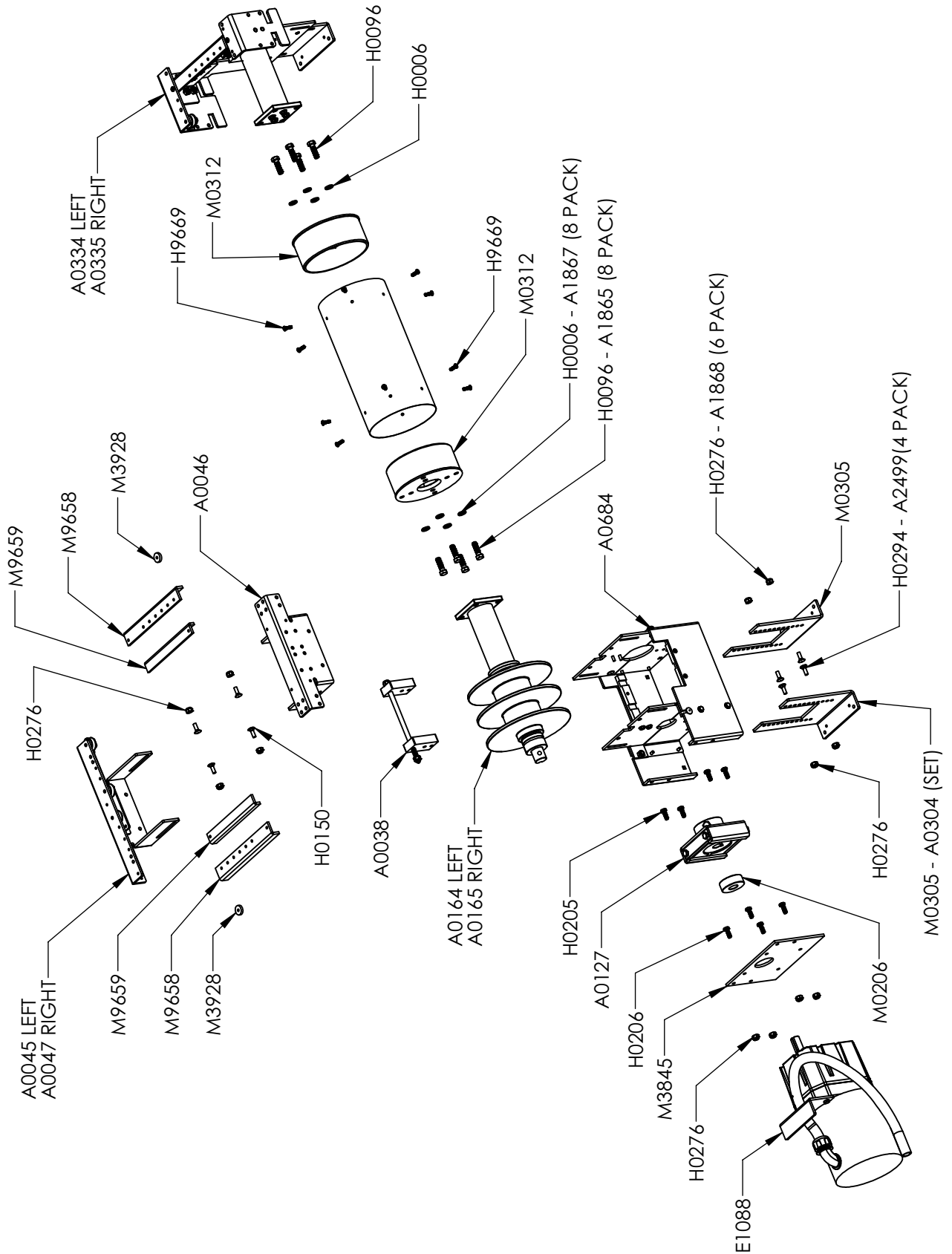


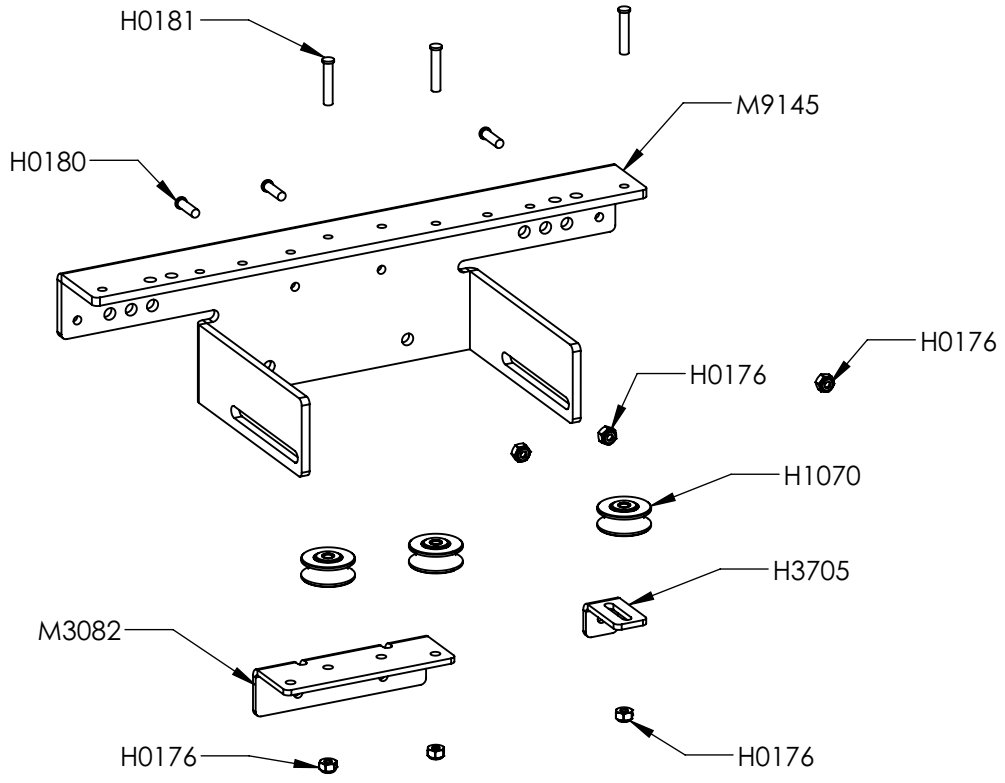
CS3000 UNDERGUIDE MECHANISM ASSEMBLY (A0131 RIGHT AND A0130 LEFT)



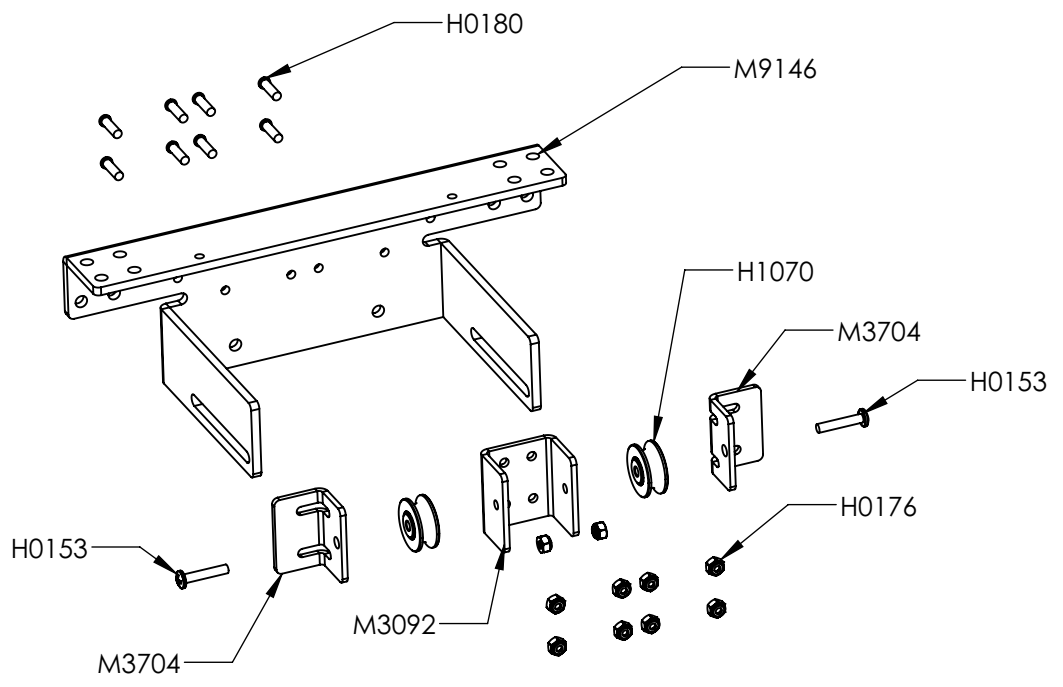
CS3000 UNDERGUIDE MECHANISM ASSEMBLY

Part Number	Description
A0038	Brake assembly CS1800 motor end
A0045	Bracket assembly CS1800 ME 3 pulley DECK RIGHT / UG LEFT
A0046	Bracket assembly CS1800 ME 2 pulley
A0047	Bracket assembly CS1800 ME 3 pulley DECK LEFT / UG RIGHT
A0127	Torque limiter & housing assembly complete CS1800 EA
A0164	Rope reel drive assembly CS1800 complete w/cone DECK LEFT / UG RIGHT
A0165	Rope reel drive assembly CS1800 complete w/cone DECK RIGHT/ UG LEFT
A0304	Bracket assembly ME bottom adj. support (feet) CS1800 SET Includes 4 nuts & bolts
A0334	Box CS1800 RT/UG-L: NME Bracket, Cone
A0335	Box CS1800 RT/UG-R: NME Bracket, Cone
A0684	Bracket assembly mechanism CS1800 main body
A1865	8 pk - Bolt HH 3/8-16 x 1-1/4 (H0096) (Attaches Mechanism to 6 in tube insert)
A1867	8 pk - Washer split lock 3/8 in (H0006)
A1868	6 pk - Nut Nylock 1/4-20 (H0276)
A2499	4 pk. Carriage bolt 1/4-20 x 3/4 inch SS (H0294)
E1088	Motor Assembly 3-wire 41 RPM 3/4 HP 2006 model
H0006	Washer split lock 3/8 in
H0096	Bolt HH 3/8-16 x 1-1/4 (Attaches Mechanism to 6 in tube insert)
H0150	Screw PPMS 10-32 X 5/8
H0205	Bolt HH 1/4-20 x 3/4 (Mounts motor mounting plate to motor & motor bracket to body)
H0206	Bolt HH 1/4-20 x 4
H0276	Nut Nylock 1/4-20
H0294	Carriage bolt 1/4-20 x 3/4
H9669	Screw PPMS self tapping 10-32 x 5/8 in. S.S.(type F)
H9749	PPMS 6-32 x 2 screw zinc for Retro touch pad
M0206	Spacer Motor shaft UHMW (Black) STD
M0305	Bracket ME bottom adj. support (feet) CS1800
M0312	Tube insert 6 in (insert for drive tube) STD EA
M3845	Bracket motor mount CS1800 for Baldor/Bison STD
M3928	Round spacer 3/16 thick x 3/4 dia. Plastic
M9658	Bracket cross brace (103 with holes)
M9659	Bracket cross brace (103 one hole)

CS3000 3 PULLEY BRACKET (A0045 UG LEFT AND A0047 UG RIGHT)



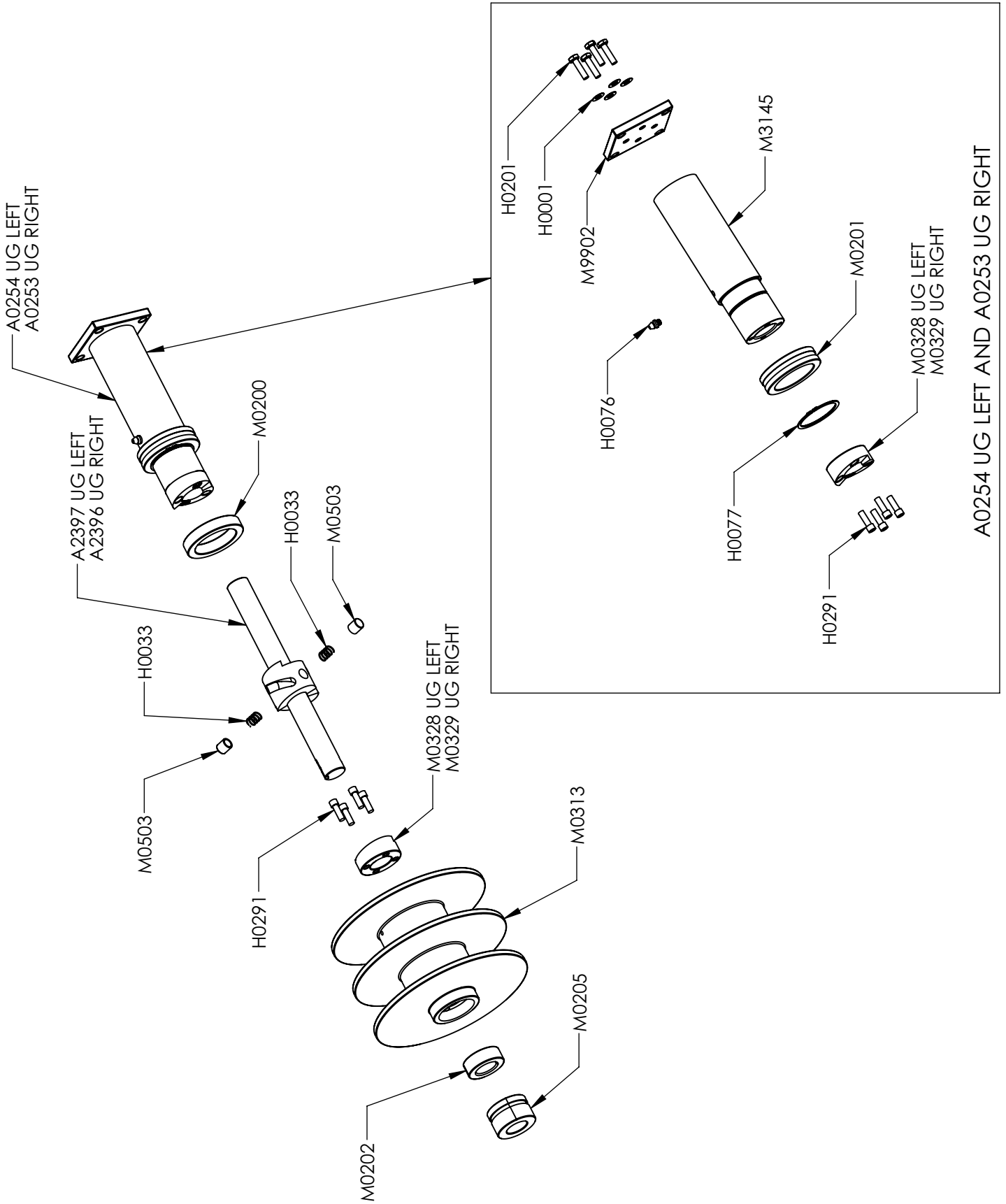
CS3000 2 PULLEY BRACKET (A0046)



CS3000 2 PULLEY BRACKET / 3 PULLEY BRACKET

Part Number	Description
H0153	Screw PPMS 10-32 x 1
H0176	Nut nylock 10-32
H0180	Pem Stud 10-32 x 5/8 pulley brackets & ug slider keeper
H0181	Pem Stud 10-32 x 1 (for pulley bracket & ug pulley endcap)
H1070	Pulley .250 Double ball bearing New Style STD
M3082	Bracket Horizontal 2 pulley
M3092	Bracket pulley vert (2 pulley)
M3704	Bracket pulley vert (single)
M3705	Bracket pulley horizontal single
M9145	Bracket 3 pulley CS1800 308
M9146	Bracket 2 pulley CS1800 308

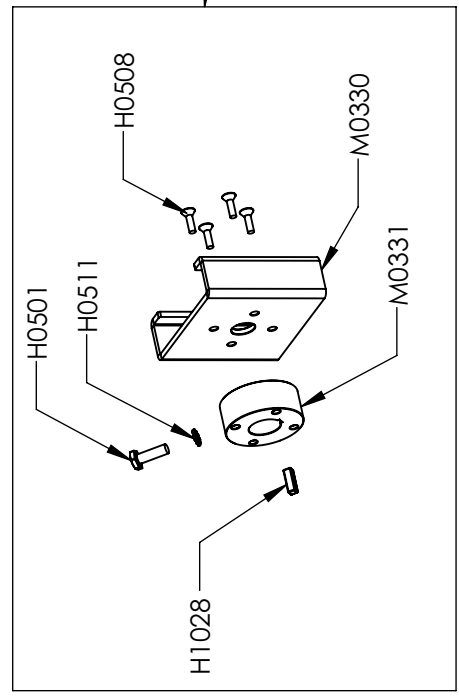
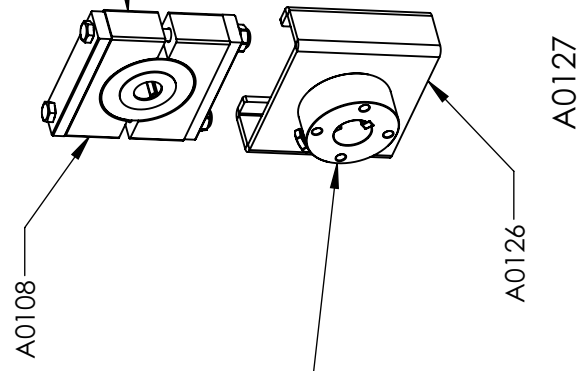
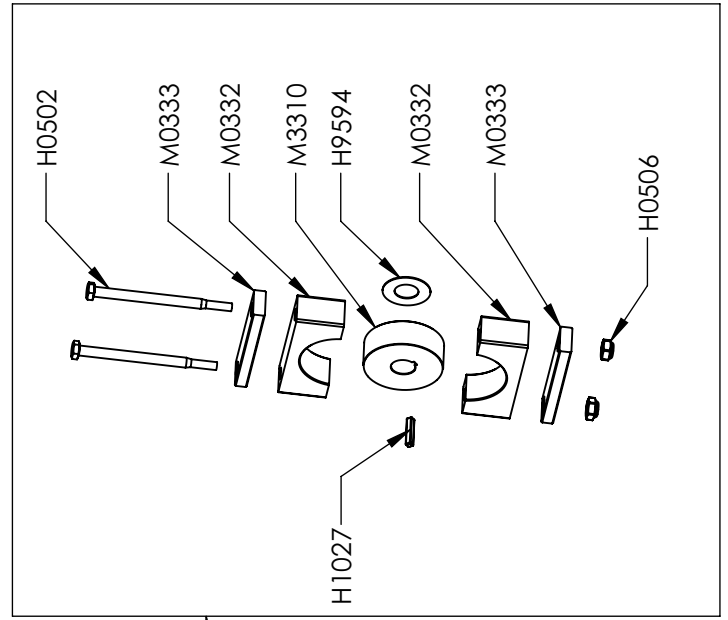
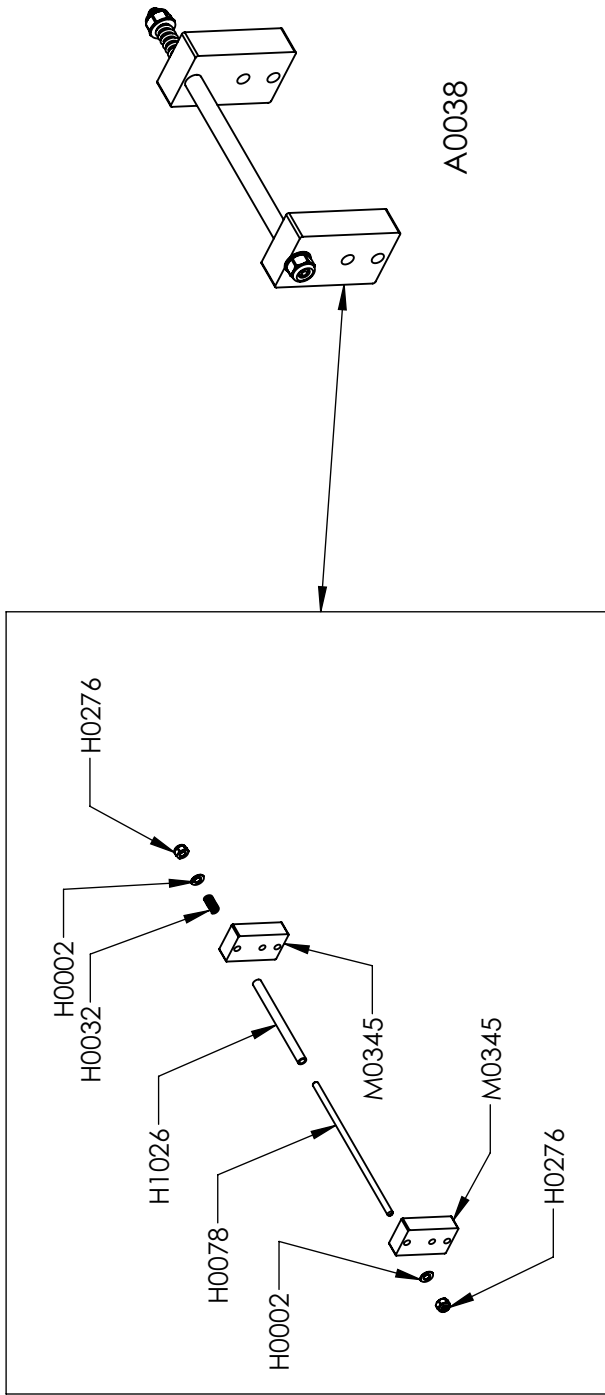
CS3000 ROPE REEL ASSEMBLY (A0165 UG LEFT AND A0164 UG RIGHT)



CS3000 ROPE REEL ASSEMBLY

Part Number	Description
A0253	Cone Assembly CS1800 ME w/ gear (cone, gear, square plate) DECK LEFT
A0254	Cone Assembly CS1800 ME w/ gear (cone, gear, square plate) DECK RIGHT
A2396	Gear assembly CS1800 LEFT [double (dog) gear, shaft, pin] (Deck left, Recessed right)
A2397	Gear assembly CS1800 RIGHT [double (dog) gear, shaft, pin] (Deck right, Recessed left)
H0001	Washer split lock 1/4 in
H0033	Spring shifting (fits in double dog) STD
H0076	Grease fitting drive-in
H0077	Snap ring lrg 1-7/8 inID 2-1/8 inOD (Goes on drive cone)
H0201	Bolt HH 1/4-20 x 1
H0291	Screw socket head 1/4-20 x 3/4 (Holds rope reel gear in place)
M0200	Bushing UHMW shaft (fits on drive cone) 2-3/4 x 1/2 in
M0201	Bushing UHMW rope reel drive cone side 2-3/4 x 3/4
M0202	Bushing UHMW rope reel motor side 2 in x .75
M0205	Bushing UHMW shaft w/groove (fits between torque limiter & rope reel)
M0313	Rope reel (w/opening for shifting gears)
M0328	Gear shifting (Dog) single RIGHT (Deck RIGHT, UG LEFT)CS1800
M0329	Gear shifting (Dog) single LEFT (Deck LEFT, UG RIGHT)CS1800
M0503	Shifting caps Delrin STD (go in double gear-dog) EA
M3145	Cone CS1800 ME reel drive (no gear, no adaptor)
M9902	Square adaptor with rounded corners for roll up tube

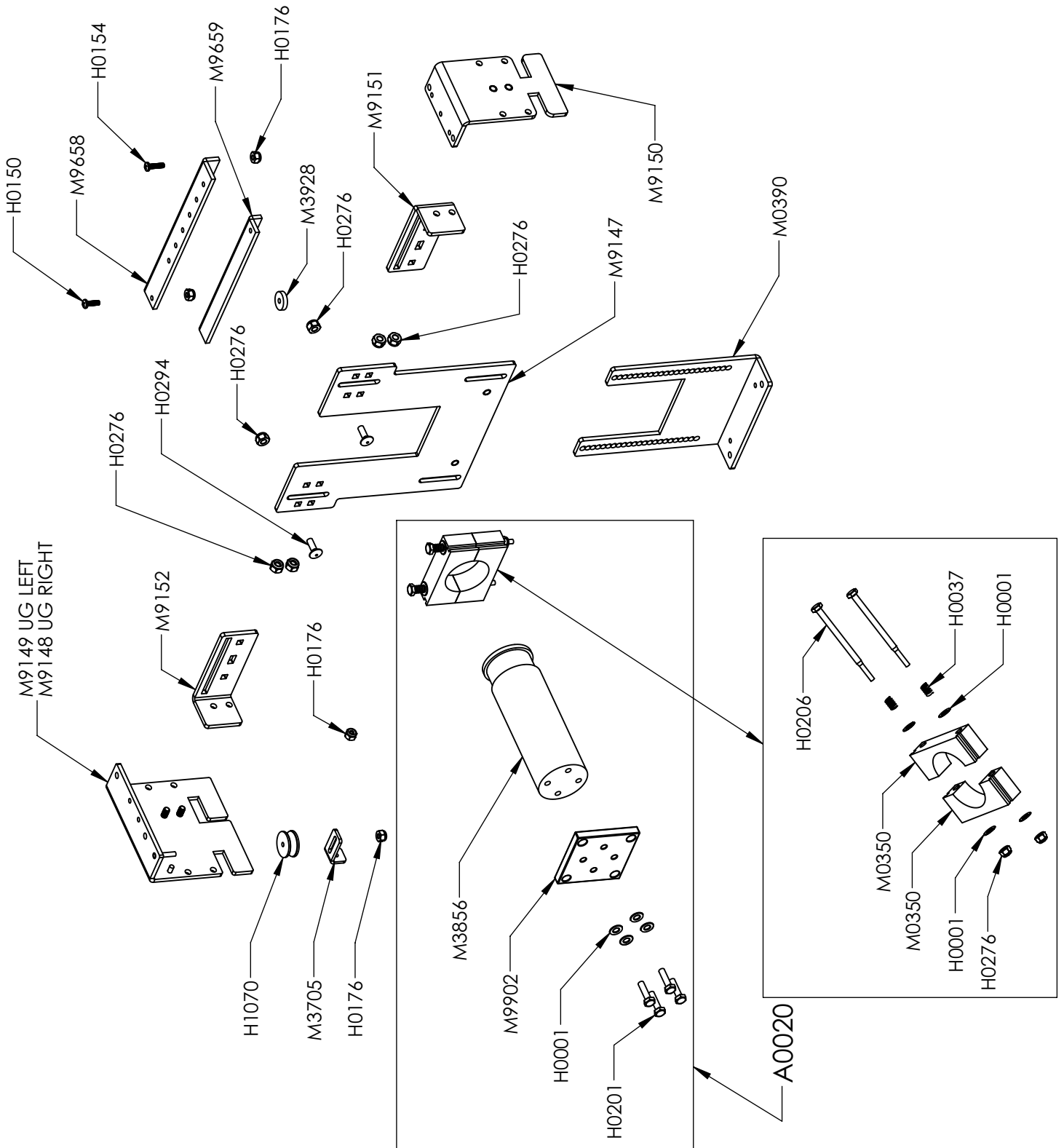
CS3000 BRAKE AND TORQUE LIMITER ASSEMBLY



CS3000 BRAKE AND TORQUE LIMITER ASSEMBLY

Part Number	Description
A0038	Brake assembly CS1800 motor end
A0108	Torque limiter assembly (no housing) CS1800 EA
A0126	Torque limiter housing assembly (no torque limiter) CS1800 SW CL
H0002	Washer flat 1/4 in SS
H0032	Spring brake reel 1/4 in x 1 in
H0078	Brake Threaded rod 1/4-20 x 8
H0128	Screw PFMS 10-32 x 1/2
H0276	Nut Nylock 1/4-20
H0332	Screw PPSM 12 x 2
H0501	Bolt HHMS 5/16-18 x 1
H0502	Bolt HHMS 5/16-18 x 4-1/2 (Long bolt for Torque limiter) *Waxed*
H0506	Nut nylock 5/16-18
H0508	Screw PFMS 5/16 -18 X 1 in
H0511	Washer Star 5/16 External Teeth
H1026	Brake tube 1/4 x 5 1/2 Polyethelyne
H1027	Key 3/16 sq. X 1 in. Motor shaft steel STD
H1028	Key 1/4 x 13/16 for 1 in shaft EA
H9594	Washer flat 1.499 X .753 X .032 SS
M0330	Torque limiter housing (C plate only) NSS
M0331	Torque limiter clutch hub 2.5 inOD x 1 in
M0333	Torque limiter top or bottom plate EA
M0345	Brakeshoe 1-1/2 in x 2-1/2 in x 3/4 in Delrin
M3310	Torque limiter disk (alu. disk in center of nylon)

CS3000 NME ASSEMBLY (A0334 UG LEFT AND A0335 UG RIGHT)



CS3000 NME ASSEMBLY

Part Number	Description
H0001	Washer split lock 1/4 in
H0037	Spring brake NME : spring S-312 .375 od. x .265 id. x .50
H0150	Screw PPMS 10-32 X 5/8
H0154	Screw PPMS 10-32 x 3/4
H0176	Nut nylock 10-32
H0201	Bolt HH 1/4-20 x 1
H0206	Bolt HH 1/4-20 x 4
H0276	Nut Nylock 1/4-20
H0294	Carriage bolt 1/4-20 x 3/4
H1070	Pulley .250 Double ball bearing New Style STD
M0350	Brake block NME (black UHMW) CS1800 EA
M0390	Bracket NME bottom adj. support (foot) 9/9/99
M3705	Bracket pulley horizontal single
M3856	Cone CS1800 NME reel drive with 3/4 in opening for manual operation STD
M3928	Round spacer 3/16 thick x 3/4 dia. Plastic
M9147	Bracket NME U 308
M9148	Bracket NME pulley RIGHT 308
M9149	Bracket NME pulley LEFT 308
M9150	Bracket NME water side mounting 308
M9151	Bracket NME width adjustment RIGHT 308
M9152	Bracket NME width adjustment LEFT 308
M9658	Bracket cross brace (103 with holes)
M9659	Bracket cross brace (103 one hole)
M9902	Square adaptor with rounded corners for roll up tube