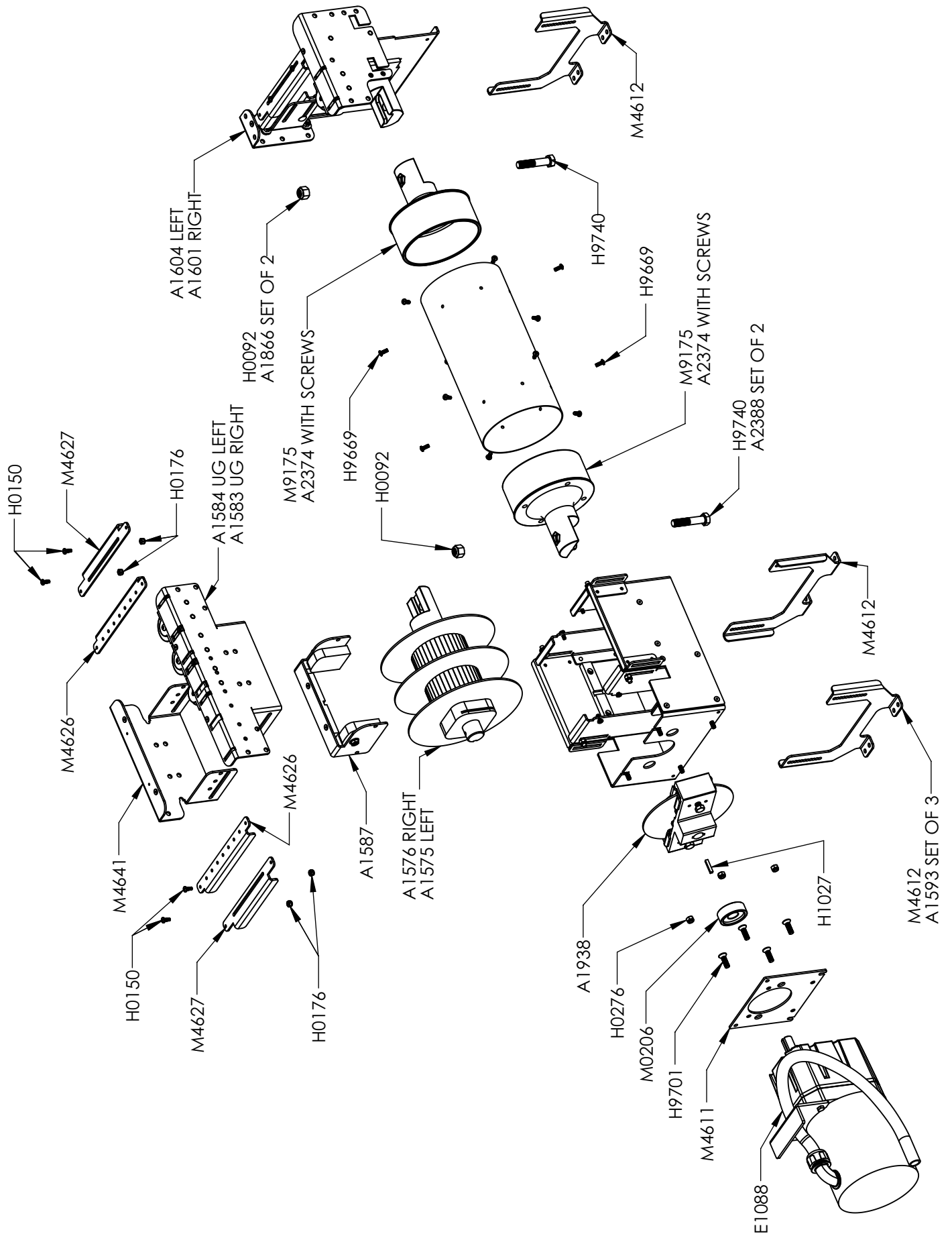


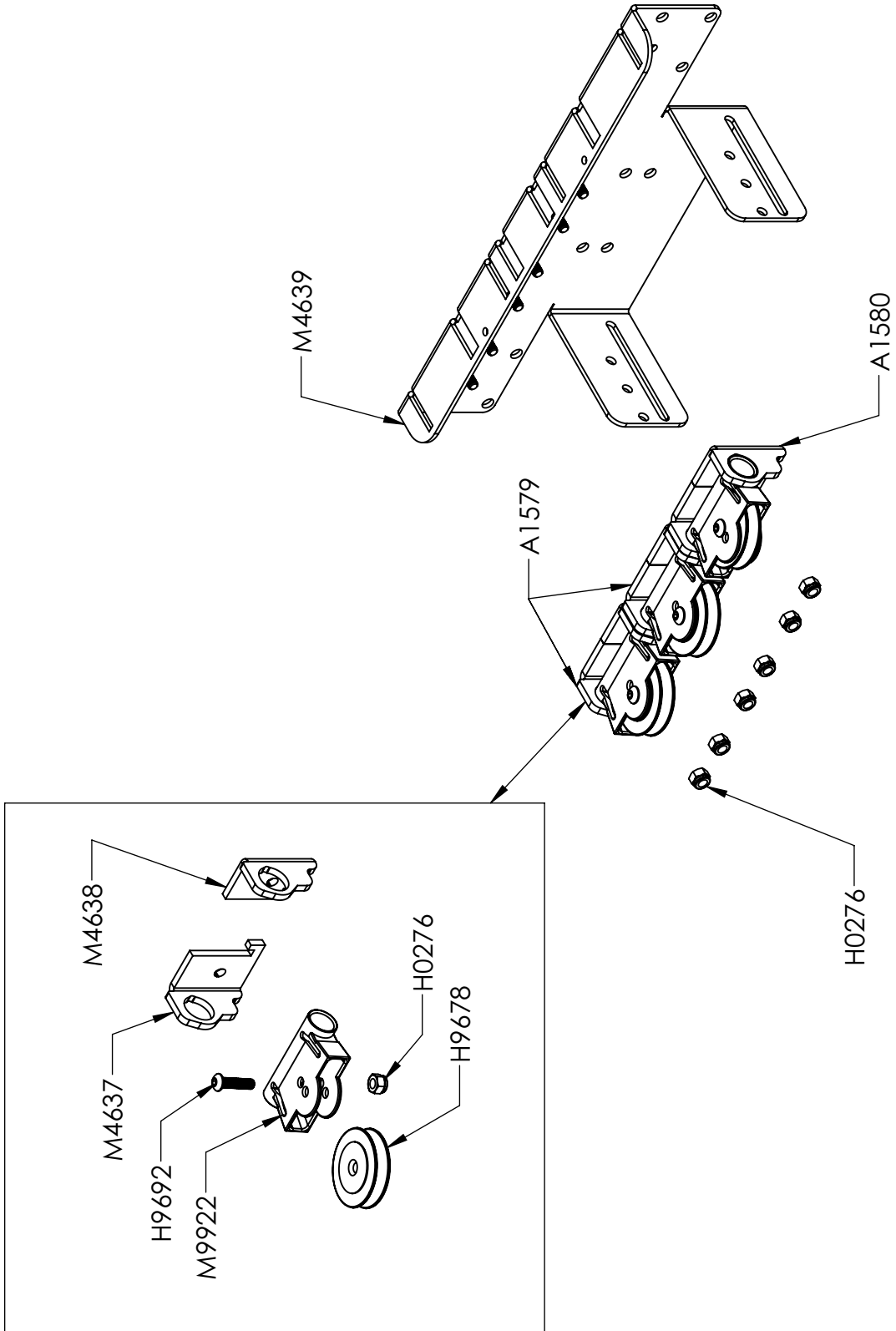
# ECLIPSE UNDERGUIDE MECHANISM ASSEMBLY



## ECLIPSE UNDERGUIDE MECHANISM ASSEMBLY

Part Number	Description
A1575	Rope Reel assembly with shifting gears for UG/RT right and Deck left (Eclipse)
A1576	Rope Reel assembly with shifting gears for UG/RT left and Deck right (Eclipse)
A1583	Eclipse 3 pulley bracket assembly UG/RT Right
A1584	Eclipse 3 pulley bracket assembly UG/RT Left
A1587	Rope Reel Brake assembly Eclipse
A1593	Mechanism mounting feet Set of 3 with hardware for Eclipse
A1601	NME assembly Eclipse RT/UG RIGHT
A1604	NME assembly Eclipse RT/UG LEFT
A1866	2 pk - Nut nylock 1/2-13 SS (H0092)
A1938	Torque limiter Assembly (Eclipse) Model C (caliper style)
A2374	Tube Insert/Cone for 6 inch tube Die Cast Aluminum w/ screws 708
A2388	2 Pk. Bolt HH 1/2-13 x 2 1/2 SS (H9740)
E1088	Motor Assembly 3-wire 41 RPM 3/4 HP 2006 model
H0092	Nut nylock 1/2-13 SS
H0150	Screw PPMS 10-32 X 5/8
H0276	Nut Nylock 1/4-20
H1027	Key 3/16 sq. X 1 in. Motor shaft steel STD
H1076	Pem Stud 1/4-20 x 1-1/4 in
H9669	Screw PPMS self tapping 10-32 x 5/8 in. S.S.(type F)
H9701	Screw PFMS undercut 1/4-20 x 5/8 SS (Mounts motor to bracket Eclipse)
H9740	Bolt HH 1/2-13 x 2 1/2 SS
M0206	Spacer Motor shaft UHMW (Black) STD
M4611	Motor Mounting Face Plate (Eclipse)
M4612	System mounting foot (Eclipse)
M4626	Cross Brace with Holes (Eclipse)
M4627	Cross Brace with Slot (Eclipse)
M4641	ME Upper mechanism water side bracket (Eclipse)
M9175	Insert Cone for 6 inch tube Die Cast Aluminum A413 Clear Anodized 708

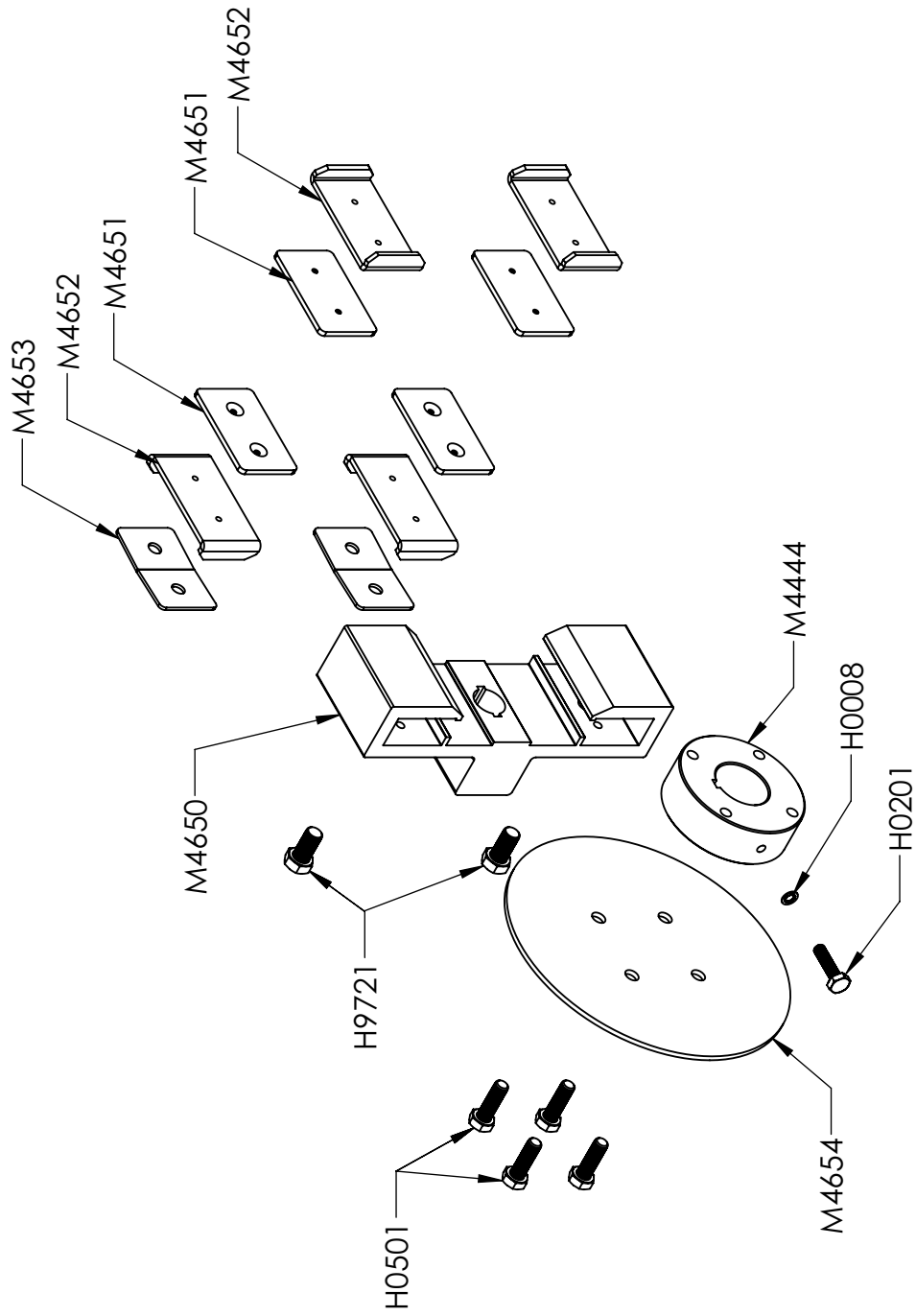
# ECLIPSE THREE PULLEY BRACKET (A1584 UG LEFT AND A1583 UG RIGHT)



## ECLIPSE THREE PULLEY BRACKET

Part Number	Description
M4638	Bracket pulley holder half with indent (Eclipse)
M4637	Bracket pulley holder half with tab (Eclipse)
M4639	Mechanism 3 pulley bracket with top slots (Eclipse)
H0276	Nut Nylock 1/4-20
H9678	Pulley 2 inch diameter stainless steel
A1579	Pulley Assembly for Mechanism Forward position Eclipse
A1580	Pulley Assembly for Mechanism Rear position Eclipse
M9922	Pulley Housing Casting for Eclipse Mechanism enclosed 2 position
H9692	Socket button head cap screw 1/4-20 x 1 SS

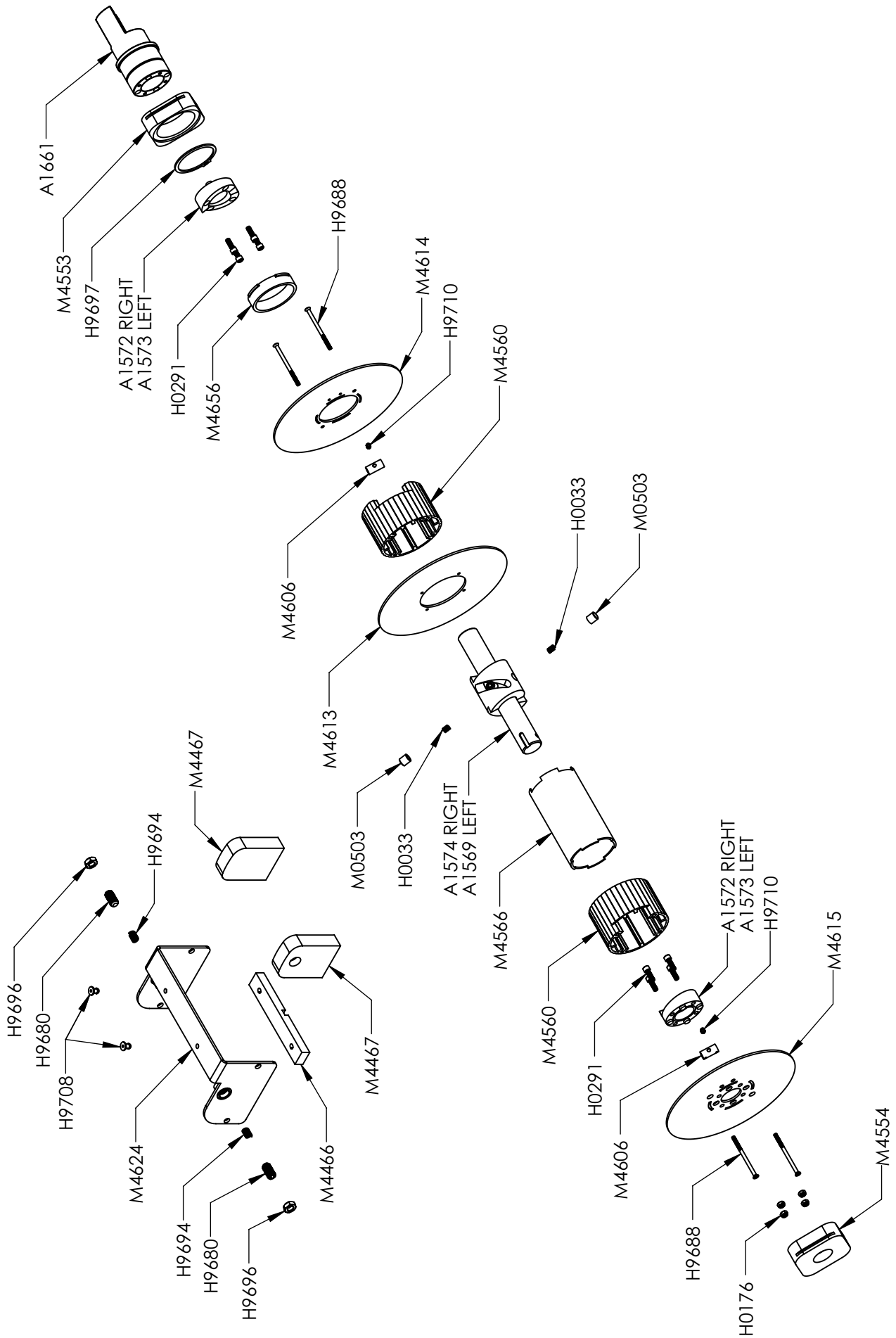
# ECLIPSE CALIPER TORQUE LIMITER (A1938)



## ECLISPE CALIPER TORQUE LIMITER

Part Number	Description
H0008	Washer star 1/4 id. External teeth
H0201	Bolt HH 1/4-20 x 1
H0501	Bolt HHMS 5/16-18 x 1
H9721	Bolt HH 3/8-24 x 3/4 SS with nylon patch
M4444	Torque Limiter Drive shaft hub (Edipse)
M4650	Torque limiter caliper
M4651	Torque limiter friction pad 1/8 inch for caliper style TL
M4652	Torque limiter backing plate for caliper style TL
M4653	Torque limiter spring plate for caliper style TL
M4654	Torque limiter rotor plate for caliper style TL

# ECLIPSE ROPE REEL AND BRAKE ASSEMBLY

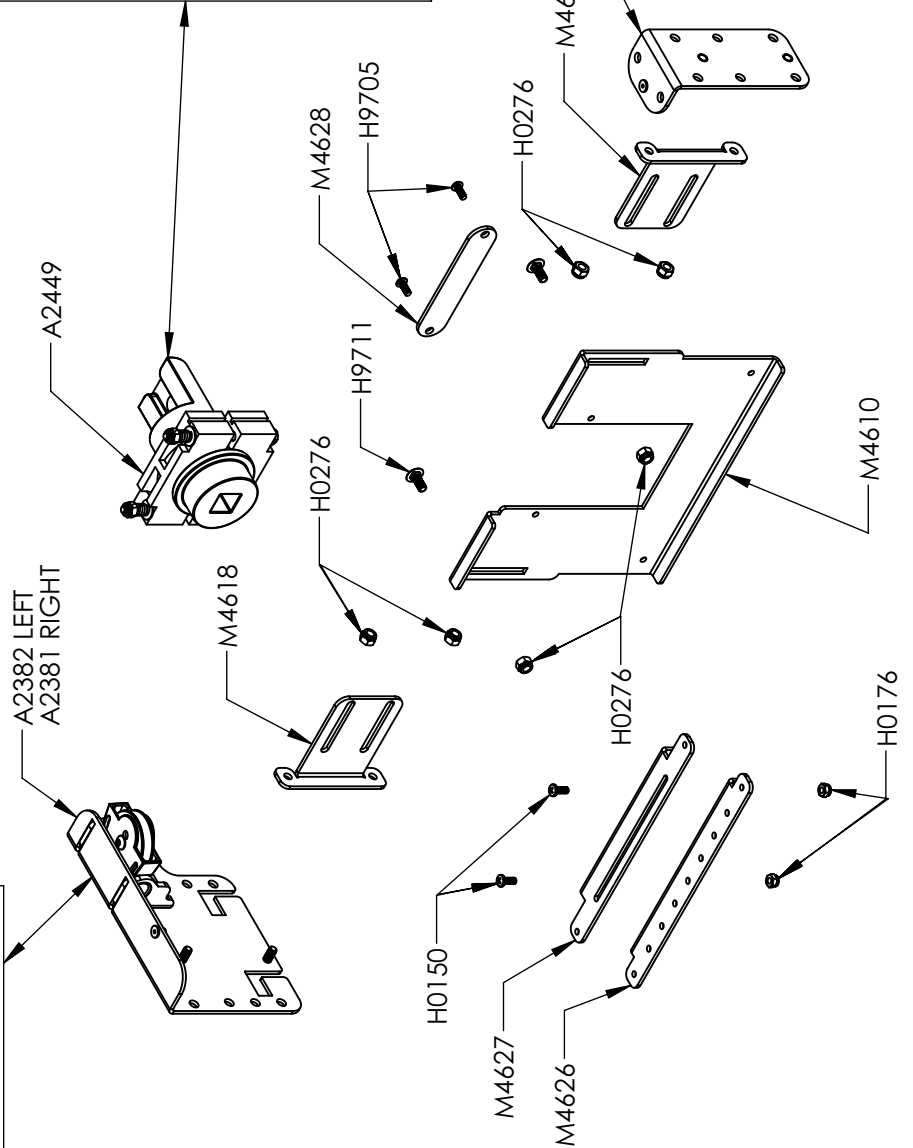
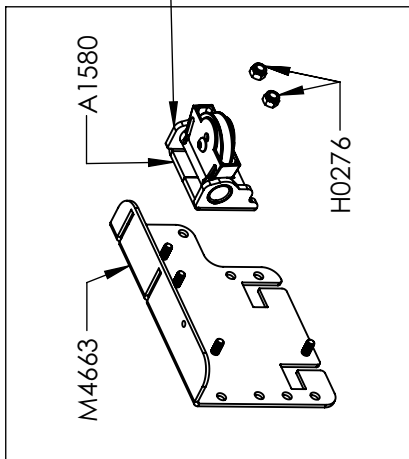
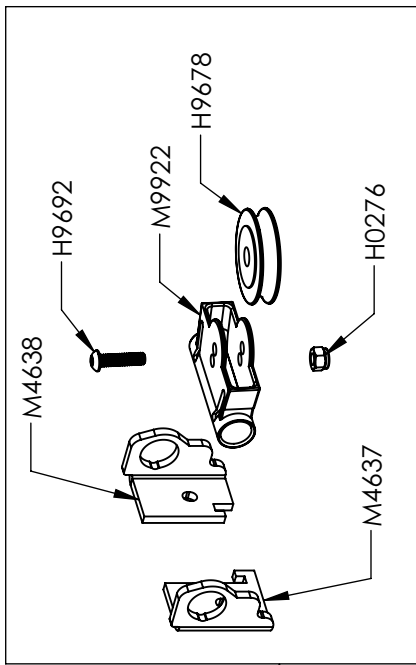
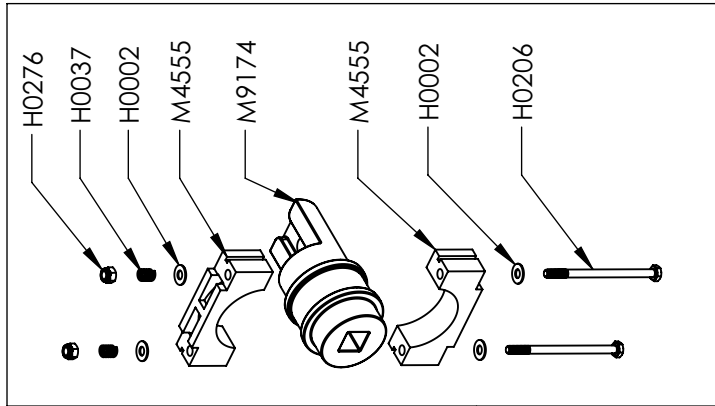


## ECLIPSE ROPE REEL AND BRAKE ASSEMBLY

Part Number	Description
H9680	Brake spring for Rope Reel .312 O.D. x .53 long x .051 wire SS
M4656	Bushing UHMW with tabs for SS rope reel
A1569	Drive shaft assembly, shaft, double dog, drive pins LEFT used on UG/RT right and Deck left system (eclipse)
A1574	Drive shaft assembly, shaft, double dog, drive pins RIGHT used on UG/RT left and Deck right system (eclipse)
A1661	ME cone with Bronze bushing installed
H9696	Nut 3/8-16 thin SS
H0176	Nut nylock 10-32
M4553	Plastic Cone Bushing (Eclipse)
M4554	Plastic Shaft Bushing (Eclipse)
H9708	Rivet SS grip range .251-.375 Hole size .192-.196
M4606	Rope Attachment lug (Eclipse)
M4624	Rope containment and brake bracket (Eclipse)
M4466	Rope Containment Block (Eclipse)
M4467	Rope Reel Brake Block (Eclipse)
M4613	Rope Reel Center Flange (Eclipse)
M4614	Rope Reel Cone side flange (Eclipse)
M4566	Rope reel Main hub SS system
M4615	Rope Reel Motor side flange (Eclipse)
H9688	Screw PFMS 10-32 x 3 SS
H0291	Screw socket head 1/4-20 x 3/4 (Holds rope reel gear in place)
H9710	Set Screw 1/4-20 x 3/8 in. slot drive cup point SS
M0503	Shifting caps Delrin STD (go in double gear-dog) EA
A1572	Shifting gear w/Bronze bushing Single Dog RIGHT (Eclipse) for UG/RT left and Deck right
A1573	Shifting gear with Bronze bushing Single Dog LEFT (Eclipse) for UG/RT right and Deck left
H9697	Snap ring 2 1/2 in. external
H0033	Spring shifting (fits in double dog) STD
M4560	Stainless Steel Rope Reel Spacer Hub (Eclipse)
H9694	Threaded rivet nut 3/8-16 aluminum



# ECLIPSE NME ASSEMBLY (A1604 UG LEFT AND A1601 UG RIGHT)



## ECLIPSE NME ASSEMBLY

Part Number	Description
A1580	Pulley Assembly for Mechanism Rear position Eclipse
A2381	Bracket Assembly 1 pulley NME Edipse UG/RT Right
A2382	Bracket Assembly 1 pulley NME Edipse UG/RT Left
A2449	NME cone and brake assembly single bolt Edipse 708
H0002	Washer flat 1/4 in SS
H0037	Spring brake NME : spring S-312 .375 od. x .265 id. x .50
H0150	Screw PPMS 10-32 X 5/8
H0176	Nut nylock 10-32
H0206	Bolt HH 1/4-20 x 4
H0276	Nut Nylock 1/4-20
H9678	Pulley 2 inch diameter stainless steel
H9692	Socket button head cap screw 1/4-20 x 1 SS
H9705	bolt HH 1/4-20 x 1/2 in SS
H9711	Carriage bolt 1/4-20 x 5/8 SS
M4555	NME Brake Block (Eclipse)
M4610	NME Main U bracket (Eclipse)
M4618	NME Width adjustment bracket (Eclipse)
M4627	Cross Bræ with Slot (Edipse)
M4628	NME Brake hold down bracket (Edipse)
M4637	Bracket pulley holder half with tab (Eclipse)
M4638	Bracket pulley holder half with indent (Eclipse)
M4642	Bracket NME pulley short LEFT (Edipse)
M4663	NME 1 Pulley bracket with top slots (Edipse) LEFT
M4664	NME Water side mounting bracket (Eclipse) for quick-mount
M9174	NME Cone Die Cast Aluminum A413 Clear Anodized
M9922	Pulley Housing Casting for Eclipse Mechanism endosed 2 position