



Quick Snap VL Encapsulation & Corner Installation Guide

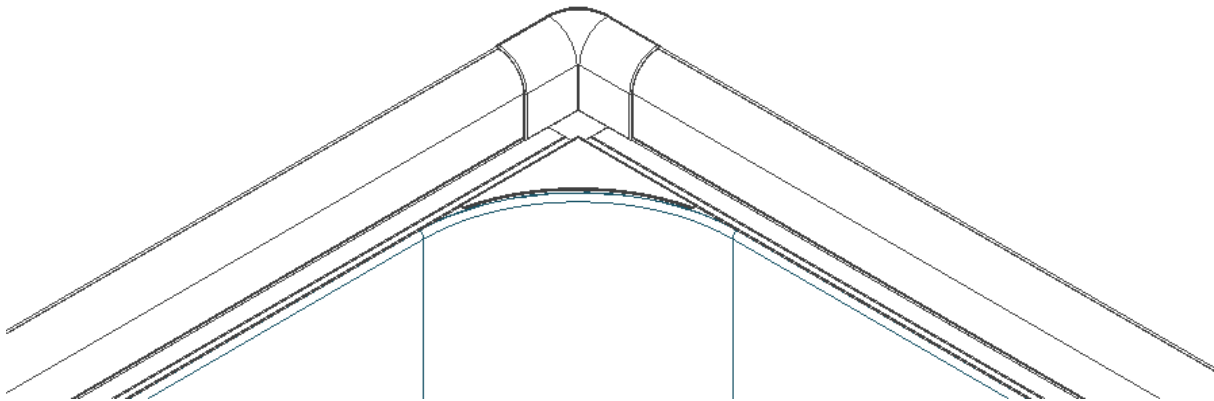


Table of Contents

Safety Information

| | |
|-------------------------------------|---|
| Important safety instructions | 1 |
| Installation notes | 2 |

Parts Description

| | |
|------------------------------|---|
| Parts list and diagrams..... | 2 |
| Required tool list..... | 2 |

Operation

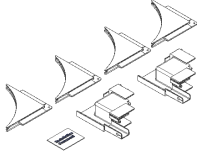
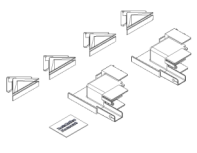

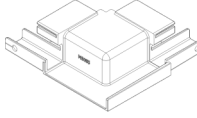

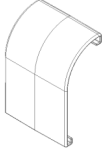
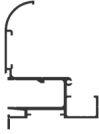
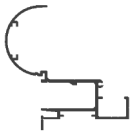

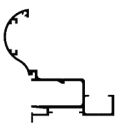







| | |
|-------------------------------|-----|
| Installation procedures | 3-8 |
| Installation diagrams | 3-8 |



WARNING! IMPORTANT SAFETY INSTRUCTIONS:

- READ AND FOLLOW ALL INSTRUCTIONS
- Installation shall only be performed by an automatic pool cover technician. Improper installation could lead to bodily harm and failure of the components.
- Proper protective equipment should always be worn for installation.
- Follow all tool manufacture safety guidelines and use safe tool practices.
- These instructions are specific to the quick snap corner installation. All other installation instructions should be followed.
- File away any exposed sharp edges. Failure to do so could lead to injury.

Parts Description

| | | | | | |
|---|---|--|---|--|---|
| 1. Corner Pocket Kit (x1) A0458  | 1. Corner Pocket Kit (x1) A0459  | 1. Corner Pocket Kit (x1) A0460  | M8085 Corner Pocket  | 3. 90 Deg Corner Forming Coping Clip  | 4. Coping Clip  |
| 2. Encapsulation Kit (x1) X1955 Rounded  | 2. Encapsulation Kit (x1) X1947 Bull Nose  | 2. Encapsulation Kit (x1) X1956 Inclined  | 2. Encapsulation Kit (x1) X1870 P-Shape  | 2. Encapsulation Kit (x1) X2650 VL  | 5. Flat Plate Splice  |
| 6. End Wall Cap Extrusions  | 7. X0091 Spacer Shim  | 8. Encapsulation Filler Metal  | 9. Screw Kit  | 10. Filler Metal  | |

Parts List

1. A0458 or A0459 or A0460—Corner Pocket Kit (Included M8085 Corner Pockets) - QTY: 1
2. Varies—Encapsulation Kit (Vinyl Liner or Rounded or Bullnose or Inclined or P-Shaped)—QTY: 1
3. M8086 or M8087 or M8088 or M8089—90 Deg Corner Forming Coping Clip—QTY: 2
4. M8080 or M8082 or M8083 or M8084—Coping Clips—QTY: Varies, one per encapsulation joint.
5. M8093—Flat Plate Splice—QTY: Varies, one per encapsulation joint
6. X0225, X0226—End Wall Cap Extrusion—QTY: Varies
7. X0091—Spacer Shim for Encapsulation—QTY: Varies
8. X1175—Encapsulation Filler Metal—QTY: Varies
9. A1721—Screw Kit with Hex Screws—QTY: Varies
10. X0125—Encapsulation filler metal for wall cap—QTY: Varies

Note: Parts in kits vary depending on encapsulation type, pool size etc. Not all listed or shown items may be a part of your kit, or there may be additional parts not shown here

Tools Required

- Cordless drill
- Hammer drill
- Flat & round file
- Tape measure
- Black marker
- Painters Tape
- Chop saw with aluminum blade or hack saw
- #3 Phillips bit
- 5/16 Driver bit
- Channel Lock Pliers
- 90 degree framers square
- Rubber Mallet

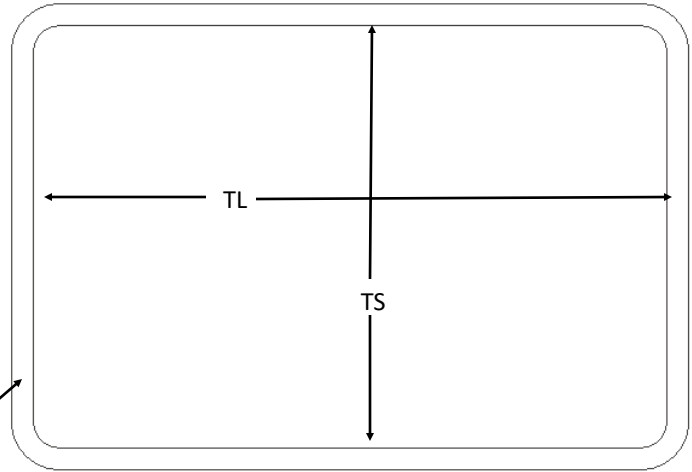
Installation Procedures

Step 1: Measure the pool width known as *Track Space* (TS) and pool length known as *Track Length* (TL)

From these measurements use the following calculations to determine extrusion cut lengths:

- X0225 & X0226 Wall Cap (Bond Beam End Wall) Extrusion Cut Length: $TS - 1/4" = \underline{\hspace{2cm}}$.
- End Wall Encapsulation Cut Length: $TS - 3/4" = \underline{\hspace{2cm}}$.

The end of the pool the auto-cover mechanism housing is attached to is known as the Bond Beam or End Wall



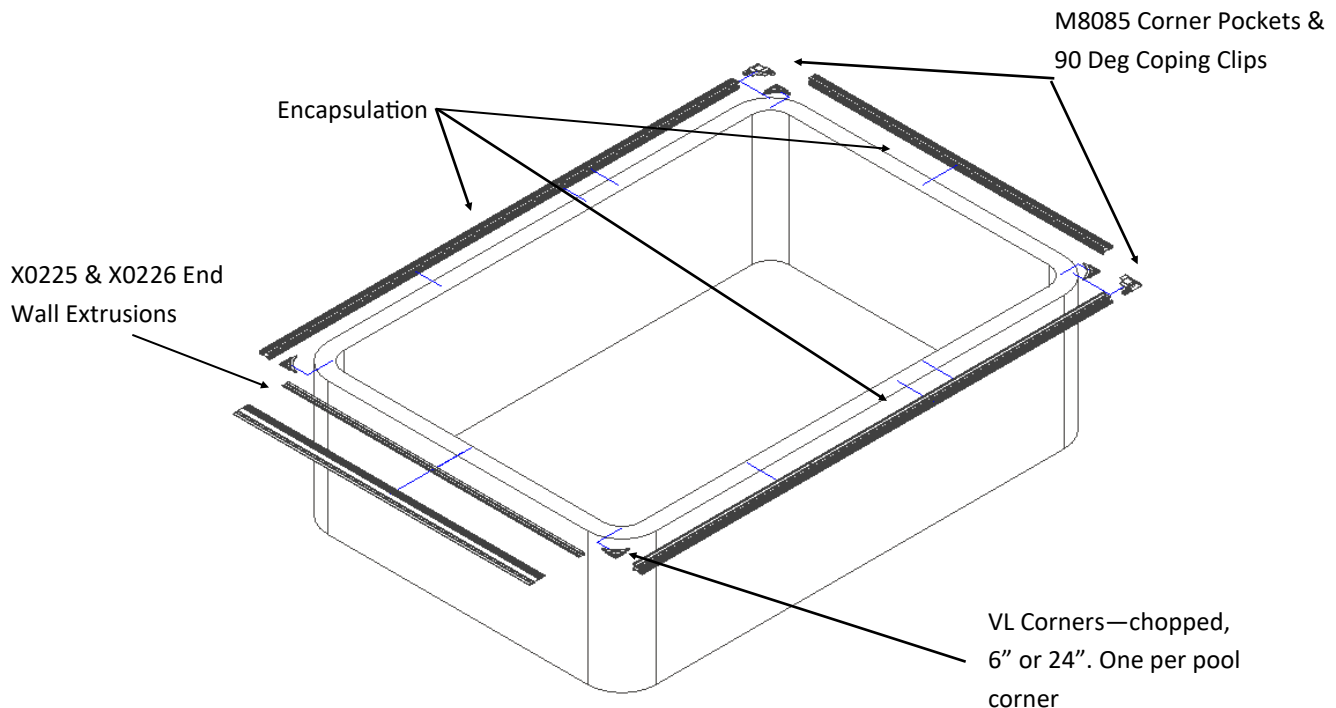
Step 2: Using the cut length calculations from step 1 transfer these measurements to extrusions X0225 & X0226 Wall Cap ($TS-1/4"$) and (X2650 or X1955 or X1947 or X1956 or X1870) End Wall Encapsulation ($TS-3/4"$).

File off all sharp edges.

Cut pieces to length. **Note: Depending on pool width more than one piece of extrusion may be required to span the pool width.**

Note: for encapsulations X1947, X1956 and X1870 see Step 11 (pg. 8) with additional miter cut requirement.

Step 3: Layout all the extrusions around all 4 edges of the pool. Lay out the two corner pockets M8085, 90 deg Corner Coping Clips and the four vinyl liner corner pieces.

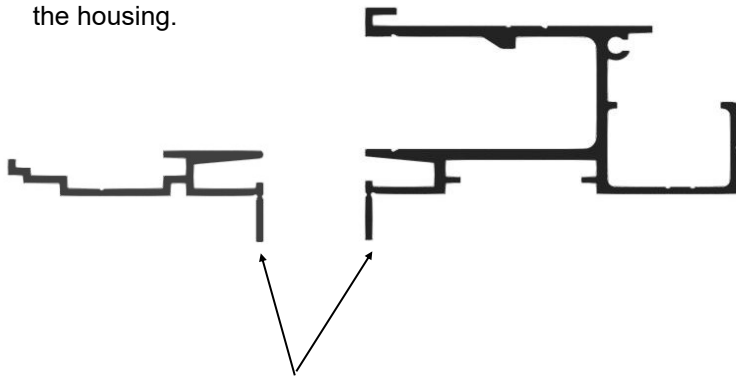


Installation Procedures

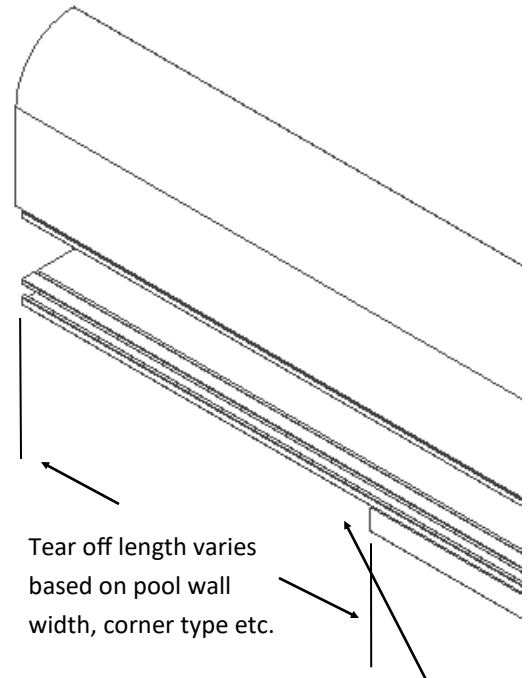
Step 4: Peel back the tab on the extrusions to fit over the corners and end wall. This is performed by using the channel lock pliers, grabbing ahold of the tab and twisting and pulling until tab is torn off to desired length.

Note: Track Length encapsulation has not yet been cut to length. Depending on wall width and housing type this length varies. Encapsulation will need to be anchored down to pool wall to determine cut length.

- A 90 degree, chopped or 6" corner may not require this step for the end wall extrusions X0225 & X0226 if the pool has square corners
- Encapsulation will have tab peeled back from inside of pool wall to where it is cut off in the housing.



Tab on encapsulation and wall cap that needs to be removed to fit over the pool wall

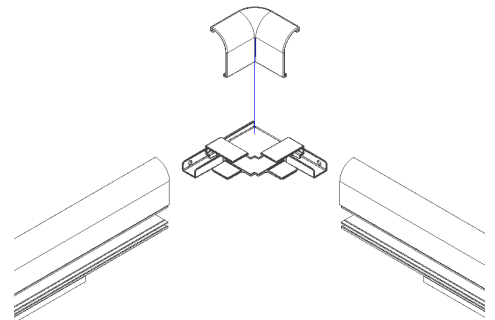


Tear off length varies based on pool wall width, corner type etc.

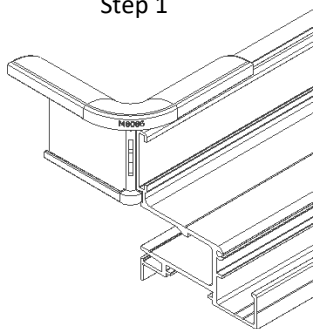
Showing the tab having been torn off

Step 5: Assemble encapsulation vinyl liner corners.

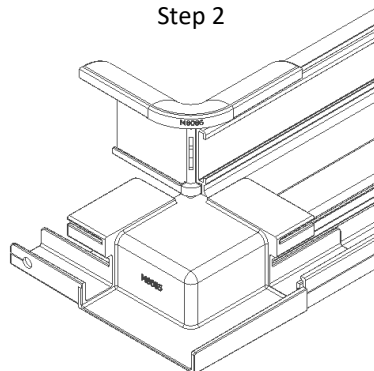
1. If using a one piece encapsulation coping slide 90deg coping clip onto encapsulation. There are extruded channels in the part that the clip slides into locking it into place.
2. Slide the M8085 polymer corner pocket onto extrusion. The pocket slides into the extruded channels of extrusion holding it into place.
3. Slide the second piece of encapsulation onto the corner pocket and 90 deg coping clip.
4. Repeat steps 1-3 for second corner.



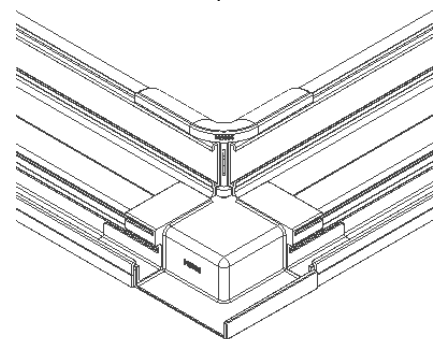
Step 1



Step 2



Step 3

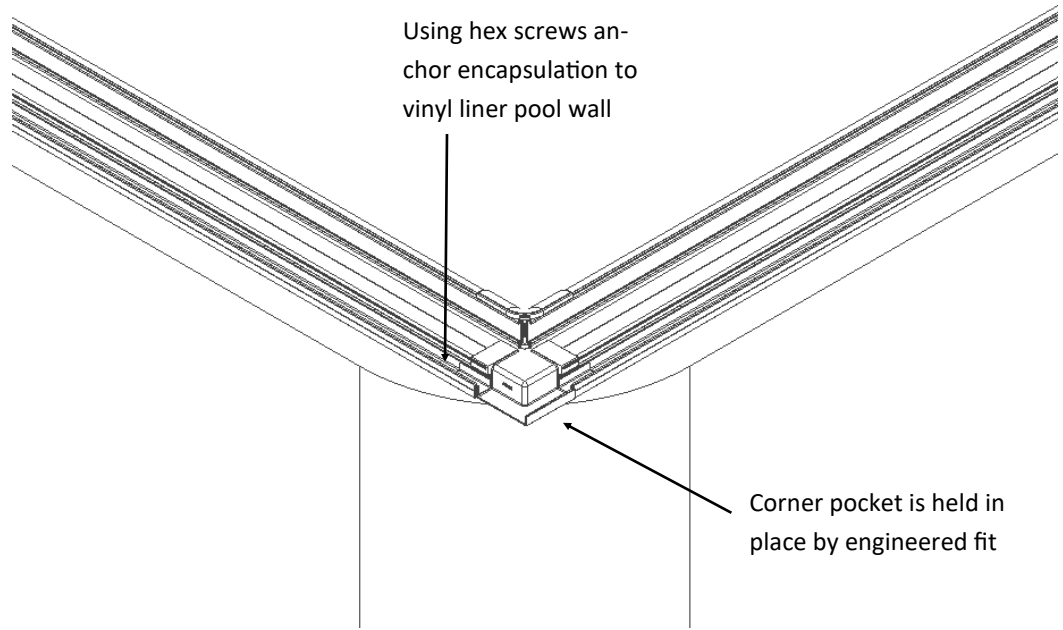


Installation Procedures

Step 6: Anchor encapsulation to pool wall. With the corners pre-assembled, check that all pieces are fitting tight and corner is square.

Anchor corner to pool wall using drill and hex screws. Encapsulation must be anchored every 18" or less full length of encapsulation. Corner pocket is locked into place thru its design and it is not necessary to specifically anchor in place.

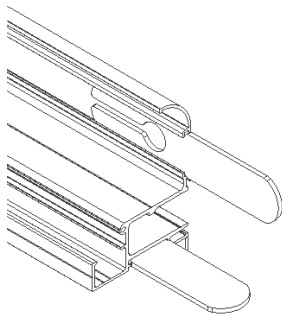
Note: Some play was engineered into the part to allow pieces to work on a pool that is not perfectly square.



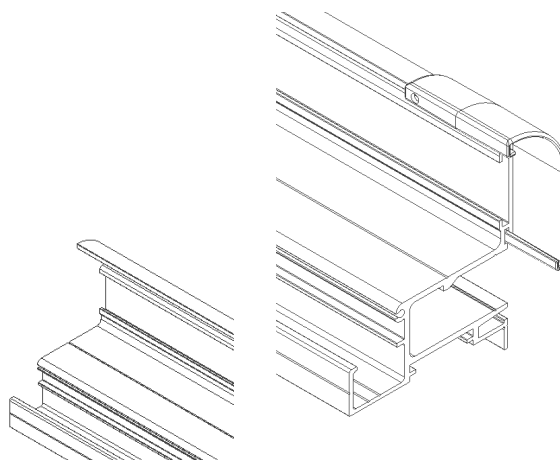
Step 7: With corners anchored down splice and anchor additional encapsulation pieces full length of pool.

1. Insert M8093 flat plate splices into channels as shown. The spring loaded side is inserted first to the halfway indicator marks on the splice.
2. If using a one piece encapsulation insert coping clip onto encapsulation. The coping clip slides into extruded channels and interlocks with part. It hides the extrusion joint and acts as a splice.
3. Slide second piece of encapsulation into splices and anchor down using hex screws
4. Using a piece of painters tape, tape across front of coping clip to hold it in place over joint. Once deck is poured part will be held in place and tape can be removed.

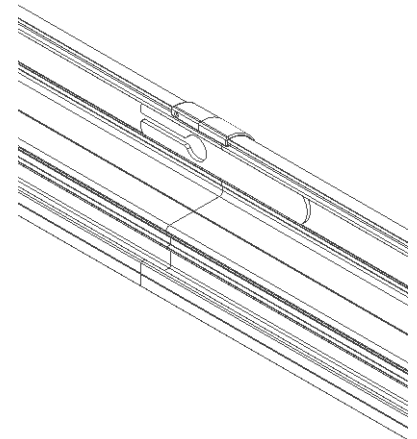
Step 1.



Step 2.



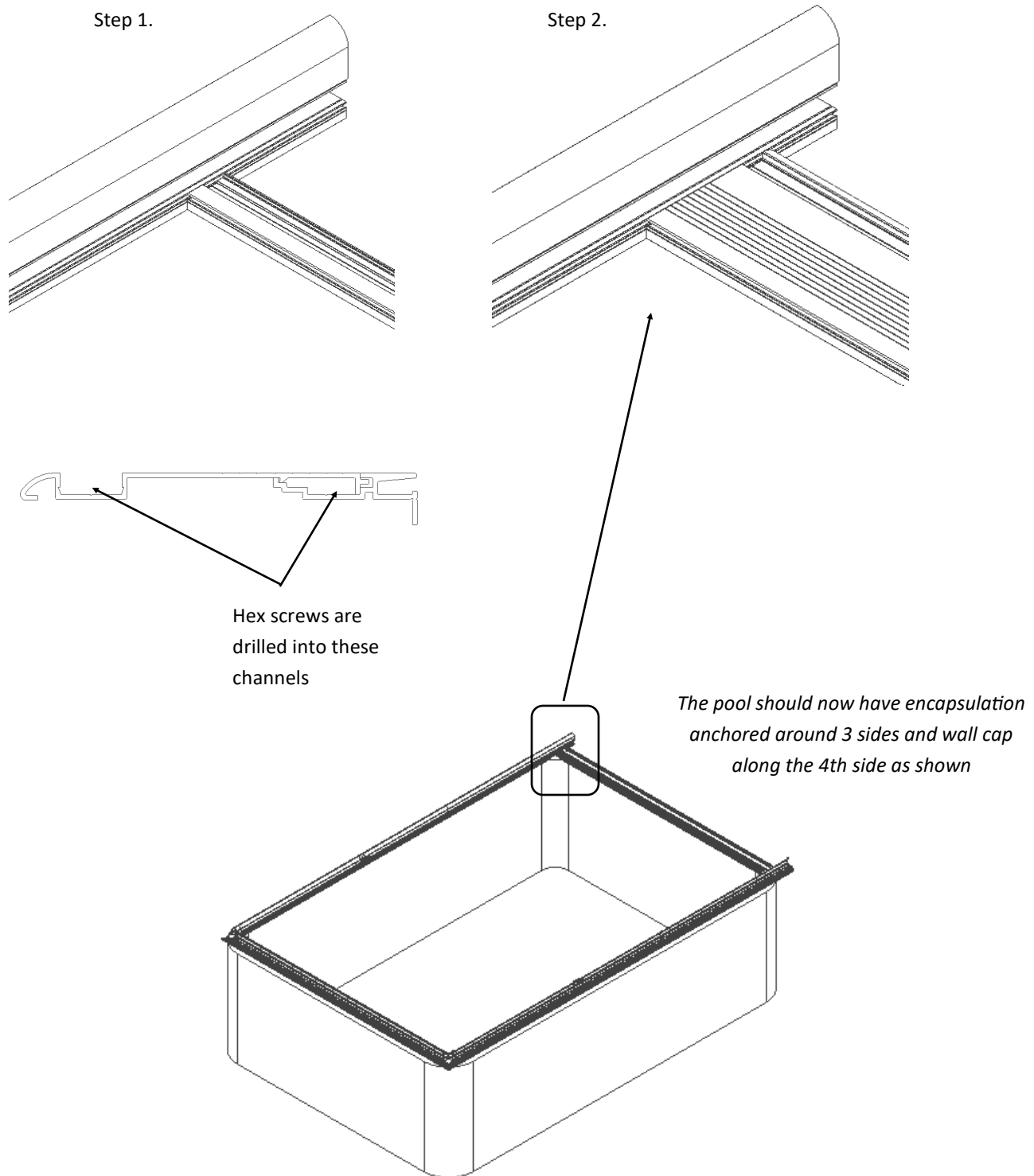
Step 3



Installation Procedures

Step 8: Anchor X0225 and X0226 Wall Cap to pool wall.

1. Attach pre-cut X0225 VL wall cap to bond beam end wall using hex screws. Insert screws on end and minimum every 18" across extrusion.
2. Attach pre-cut X0226 wall cap finishing plate to bond beam end wall. X0225 interlocks into part X0226 and is held sure with a hex screw. Insert screws on end and minimum every 18" across extrusion.

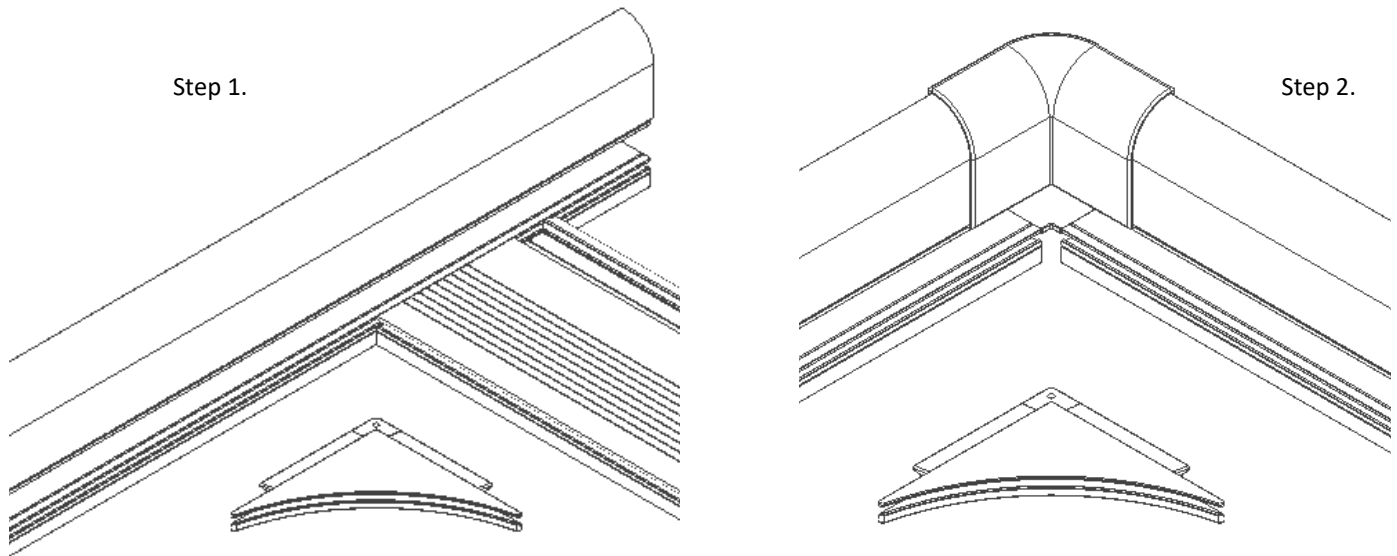


Installation Procedures

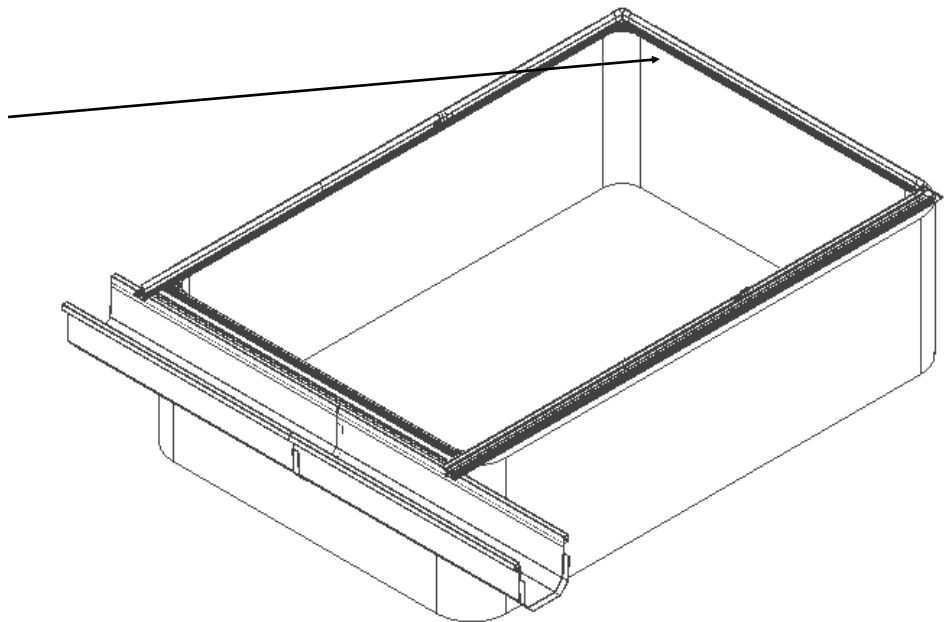
Step 9: Insert the vinyl liner corner snap corners into place (Chopped or 6" or 24"). **Note: 90 degree corners do not use a corner piece.**

1. Insert corner piece into the vinyl liner channels of the encapsulation and wall cap. Gently push or tap into place with rubber mallet. An audible snap sound will be heard once part sets into channel. Repeat in opposite side.
2. Repeat step 1 on far corners

Corners are held into place once the track and encapsulation spacer shims are installed preventing part from being able to be moved up and removed.



Step 10: Cut to length and install X1175 end wall filler metal into end wall encapsulation. Part installs like track with X0091 shim locking part into place



Installation Procedures

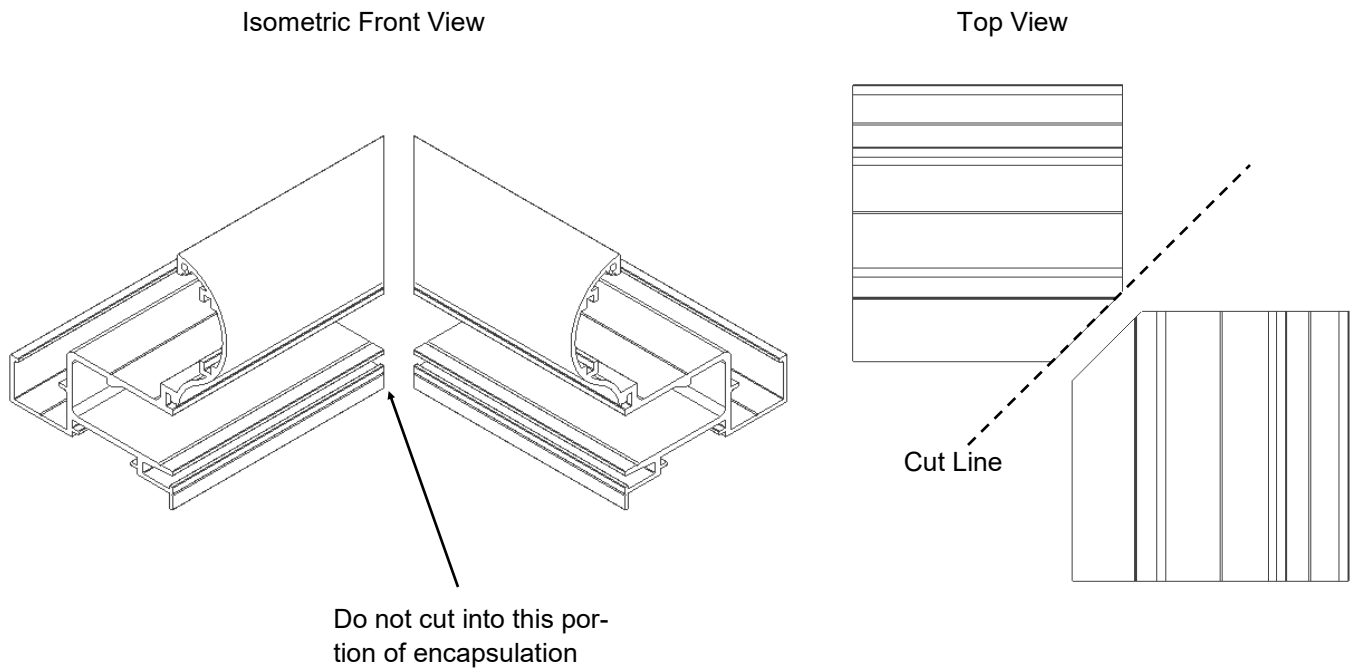
Step 11: Cut page for one piece Bullnose or Inclined or P-shaped encapsulation.

Due to the geometry of the one piece Bullnose, Inclined and P-Shaped encapsulation extending beyond the edge of the pool wall, it will be necessary to cut the corner coping ends at a partial 45deg angle to allow them to fit into the corner forming pockets and corner coping clip. This cut can be done using any standard miter chop saw or a hand held hack saw.

File away any sharp edges

Note: The corner coping clip hides any sharp edges and any cuts that are a little off. The key is to not cut into the encapsulation portion, only the coping portion of the one piece encapsulations

Note: This step is not required for Rounded Encapsulation



Showing the Bullnose encapsulation. The bullnose coping portion will need to be cut at a 45deg angle to allow the two pieces of encapsulation to come together without any interferences.

Showing the Inclined encapsulation. The inclined coping portion will need to be cut at a 45deg angle to allow the two pieces of encapsulation to come together without any interferences.

