

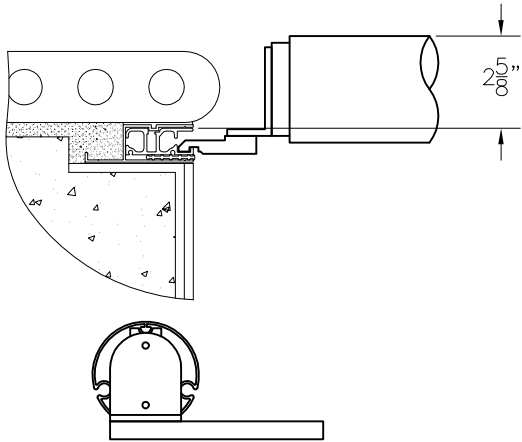
Underguide Vs. Topguide/RHG

Underguide is used in the following applications: Standard & Encapsulated Underguide, Pool-in-Pool, and Extreme Cantilever. It uses a slider and Leading Edge Bar Insert to support the Leading edge Bar directly to the side of the guide. This typically makes the Leading Edge Bar at or below the deck surface. Underguide catches less dirt and needs less cleaning. There are many different encapsulations configurations to allow it to be used with a variety of pool types. Please Refer to sections 4 through 7 for this application.

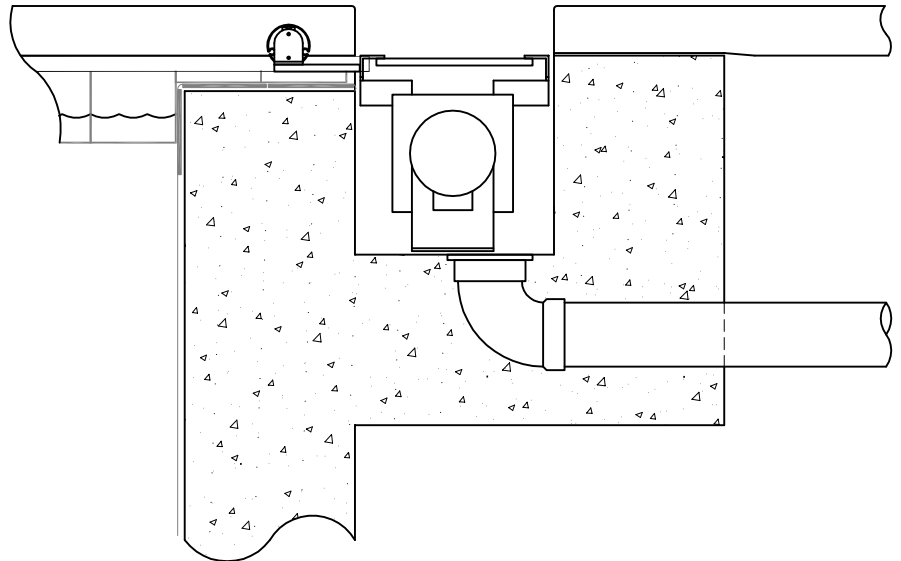
Topguide, Recessed Horizontal Guide, and Screw Down Recessed Horizontal guide are all used to cover existing pools or free form pools and rectangles with free form elements(outside benches and walk out steps). These use a wheel assembly to support the Leading Edge Bar above the deck. This can make the Leading Edge Bar 5½" to 7" above the deck. These guides capture much of the debris on the deck surface and should be cleaned often. Please refer to sections 8 & 9 for this application

Slider and Leading Edge Bar Insert

Used with: Underguide

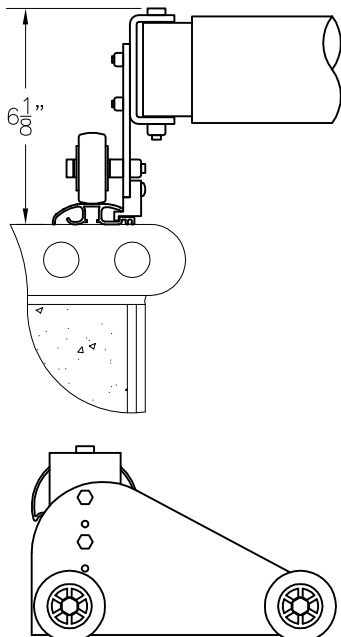


Standard Underguide

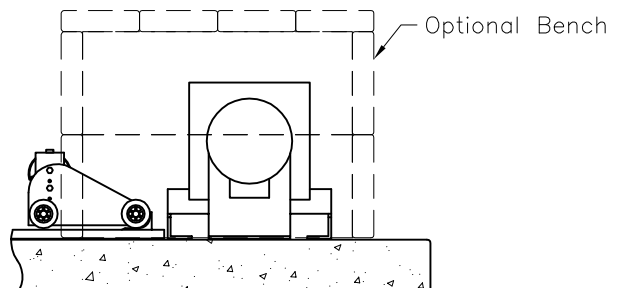


Wheel Assembly

Used with: Topguide
Recessed Horizontal Guide(RHG)
Screw Down RHG



Deckmount Topguide



Recessed Topguide/RHG

