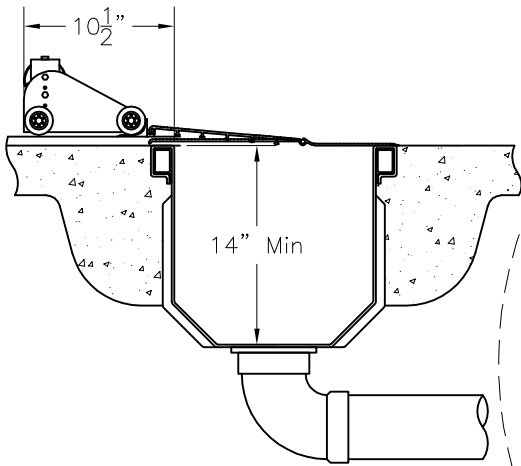
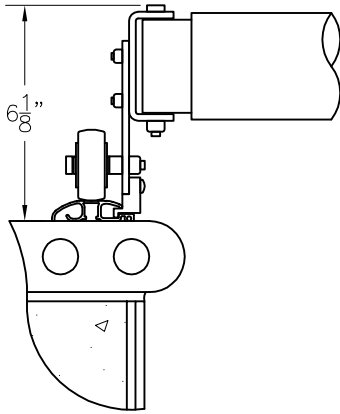
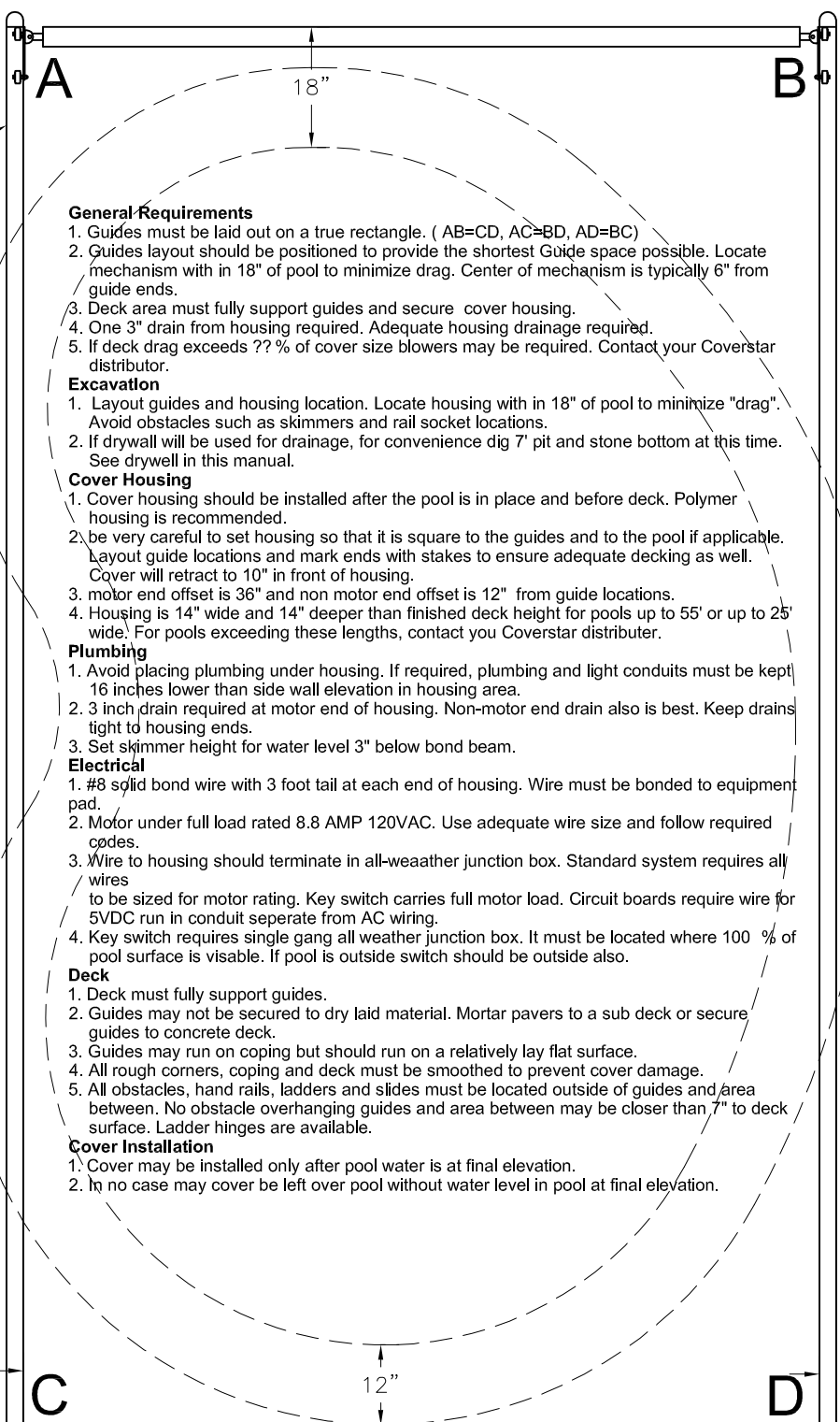
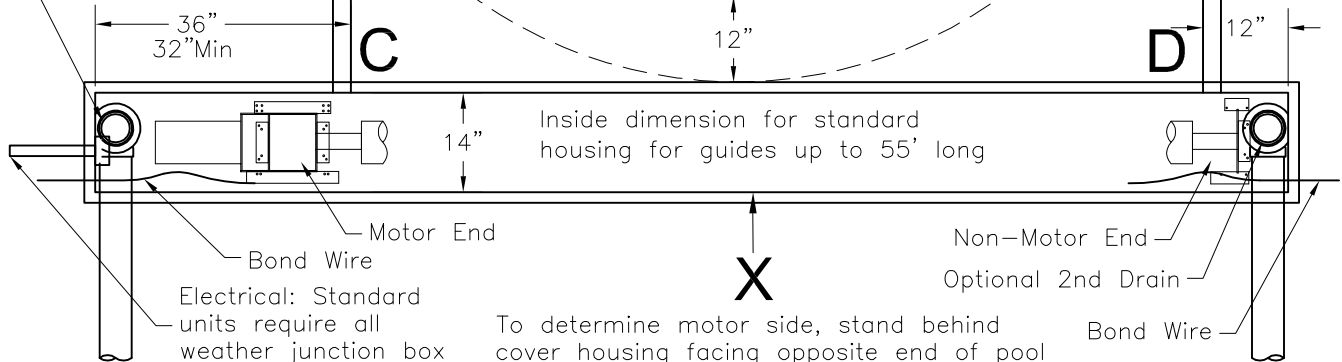


# Recessed Topguide System

Cover guides should run on flat surface.



Minimum 3" DIA Drain Required



### General Requirements

1. Guides must be laid out on a true rectangle. ( $AB=CD$ ,  $AC=BD$ ,  $AD=BC$ )
2. Guides layout should be positioned to provide the shortest Guide space possible. Locate mechanism with in 18" of pool to minimize drag. Center of mechanism is typically 6" from guide ends.
3. Deck area must fully support guides and secure cover housing.
4. One 3" drain from housing required. Adequate housing drainage required.
5. If deck drag exceeds ?? % of cover size blowers may be required. Contact your Coverstar distributor.

### Excavation

1. Layout guides and housing location. Locate housing with in 18" of pool to minimize "drag". Avoid obstacles such as skimmers and rail socket locations.
2. If drywall will be used for drainage, for convenience dig 7" pit and stone bottom at this time. See drywell in this manual.

### Cover Housing

1. Cover housing should be installed after the pool is in place and before deck. Polymer housing is recommended.
2. be very careful to set housing so that it is square to the guides and to the pool if applicable. Layout guide locations and mark ends with stakes to ensure adequate decking as well. Cover will retract to 10" in front of housing.
3. motor end offset is 36" and non motor end offset is 12" from guide locations.
4. Housing is 14" wide and 14" deeper than finished deck height for pools up to 55' or up to 25' wide. For pools exceeding these lengths, contact you Coverstar distributor.

### Plumbing

1. Avoid placing plumbing under housing. If required, plumbing and light conduits must be kept 16 inches lower than side wall elevation in housing area.
2. 3 inch drain required at motor end of housing. Non-motor end drain also is best. Keep drains tight to housing ends.
3. Set skimmer height for water level 3" below bond beam.

### Electrical

1. #8 sqld bond wire with 3 foot tail at each end of housing. Wire must be bonded to equipment pad.
2. Motor under full load rated 8.8 AMP 120VAC. Use adequate wire size and follow required codes.
3. Wire to housing should terminate in all-weather junction box. Standard system requires all wires to be sized for motor rating. Key switch carries full motor load. Circuit boards require wire for 5VDC run in conduit separate from AC wiring.
4. Key switch requires single gang all weather junction box. It must be located where 100 % of pool surface is visible. If pool is outside switch should be outside also.

### Deck

1. Deck must fully support guides.
2. Guides may not be secured to dry laid material. Mortar pavers to a sub deck or secure guides to concrete deck.
3. Guides may run on coping but should run on a relatively lay flat surface.
4. All rough corners, coping and deck must be smoothed to prevent cover damage.
5. All obstacles, hand rails, ladders and slides must be located outside of guides and area between. No obstacle overhanging guides and area between may be closer than 7" to deck surface. Ladder hinges are available.

### Cover Installation

1. Cover may be installed only after pool water is at final elevation.
2. In no case may cover be left over pool without water level in pool at final elevation.