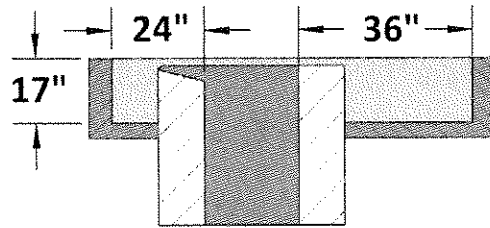
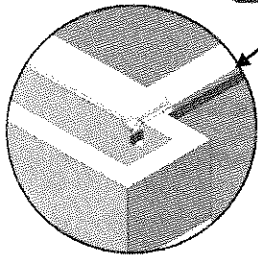
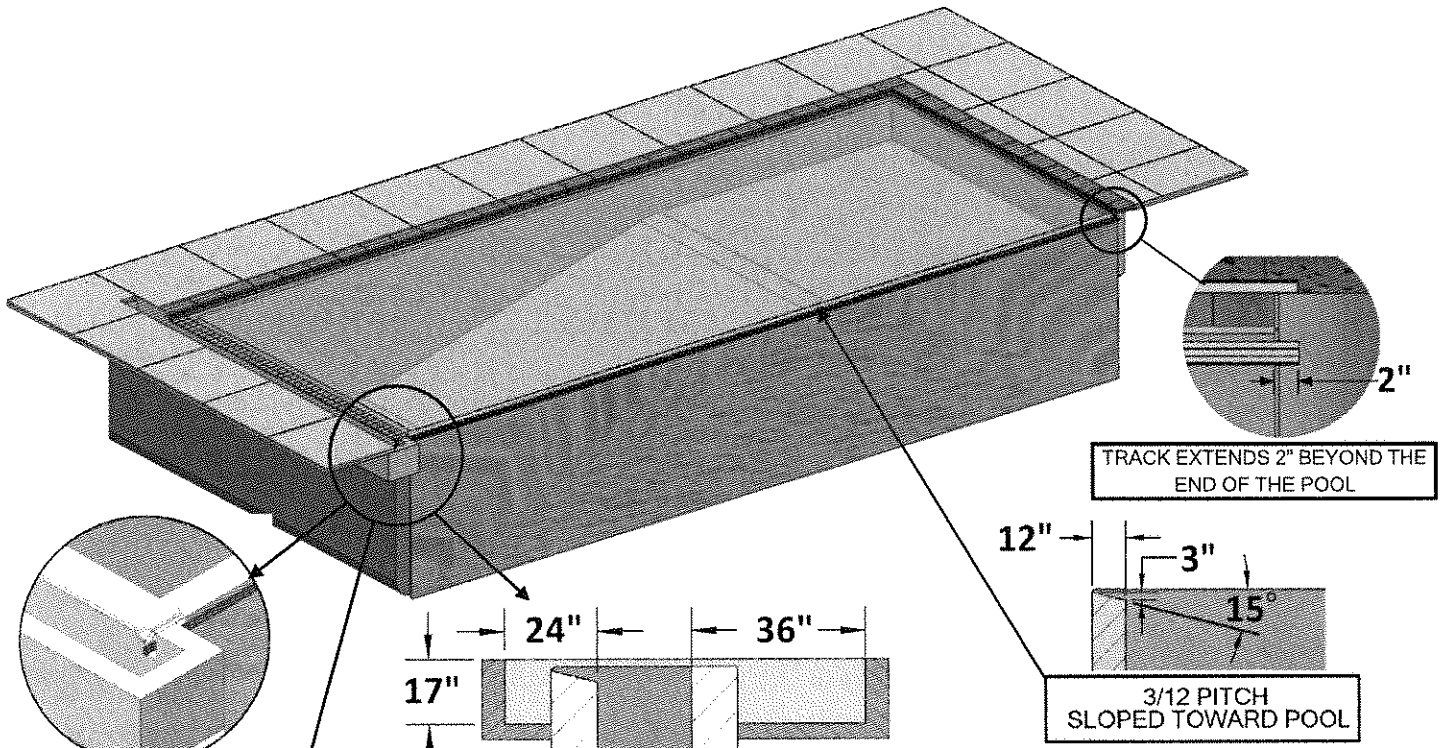
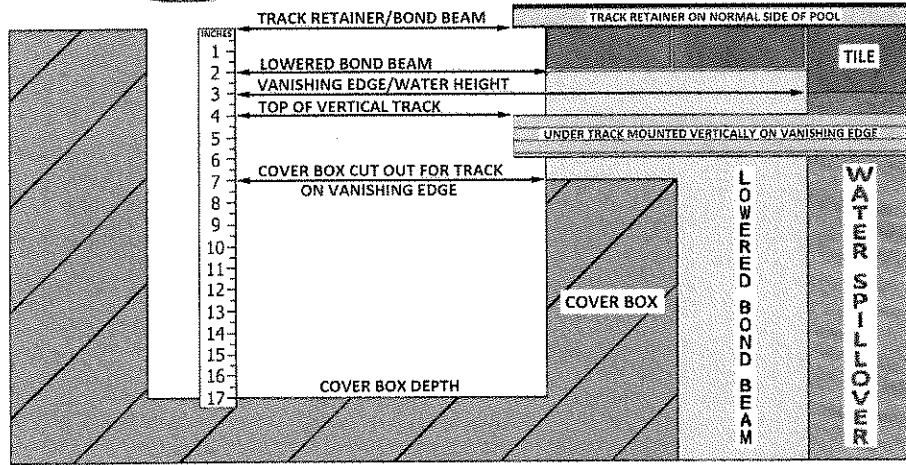
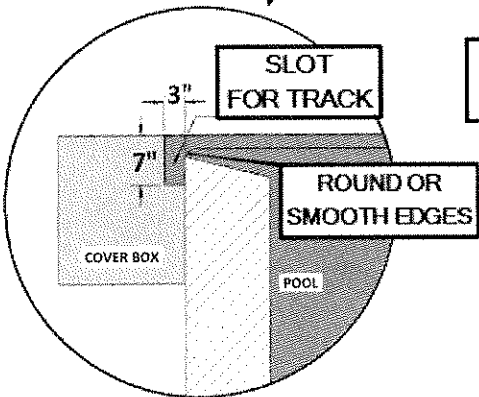
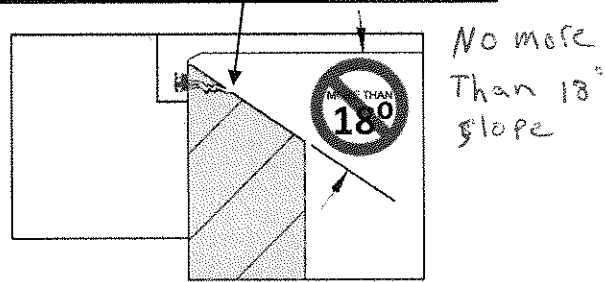


VERTICAL VANISHING EDGE SPECIFICATIONS

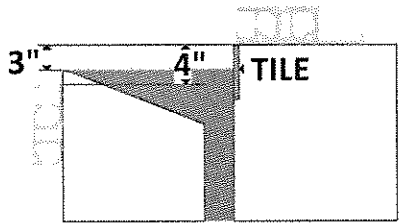


NON-MOTOR END OFFSET IS INCREASED TO 24"

NOTE: CRACKS MAY OCCUR IF SLOPE IS STEEPER THAN RECOMMENDED



SIDE VIEW OF POOL (LOOKING AT VANISHING EDGE SIDE)



NOT DRAWN TO SCALE

